

The information, specifications, and illustrations in this manual are on the basis of information available at the time it was written. The specifications, torque values, pressures of operation, measurements, adjustments, illustrations, and other items can change at any time. These changes can affect the service of the given product.

For the complete and most current information, contact:

Hogg & Davis, Inc
P.O. Box 405 / 3800 Eagle Loop
Odell, OR 97044-0405
541-354-1001
541-354-1080 Fax
www.hoggdavis.com



"Rugged Dependability."

COPYRIGHT 2020 HOGG & DAVIS, INC



Parts Manual

<i>Isometric View</i>	1
<i>Curbside View</i>	2
<i>Rear View</i>	3
<i>Power Package</i>	4
<i>Valve Bank</i>	5
<i>Idler Wheel</i>	6-7
<i>Steer-Go Idler Wheel (Option)</i>	8-9
<i>Steer-Go Controls (Option)</i>	10
<i>T1RBD Reel Brake (Option)</i>	11
<i>T1PHR Retriever Arm (Option)</i>	12-13
<i>Mandrel Rack</i>	14
<i>Jackstands</i>	15-16
<i>Trailer Air Brakes</i>	17-18
<i>Trailer Lighting</i>	19
<i>Wheel Torque Requirements</i>	20-21
<i>Literature Sheet</i>	22-23
<i>Decals/Decal Locations</i>	24-27

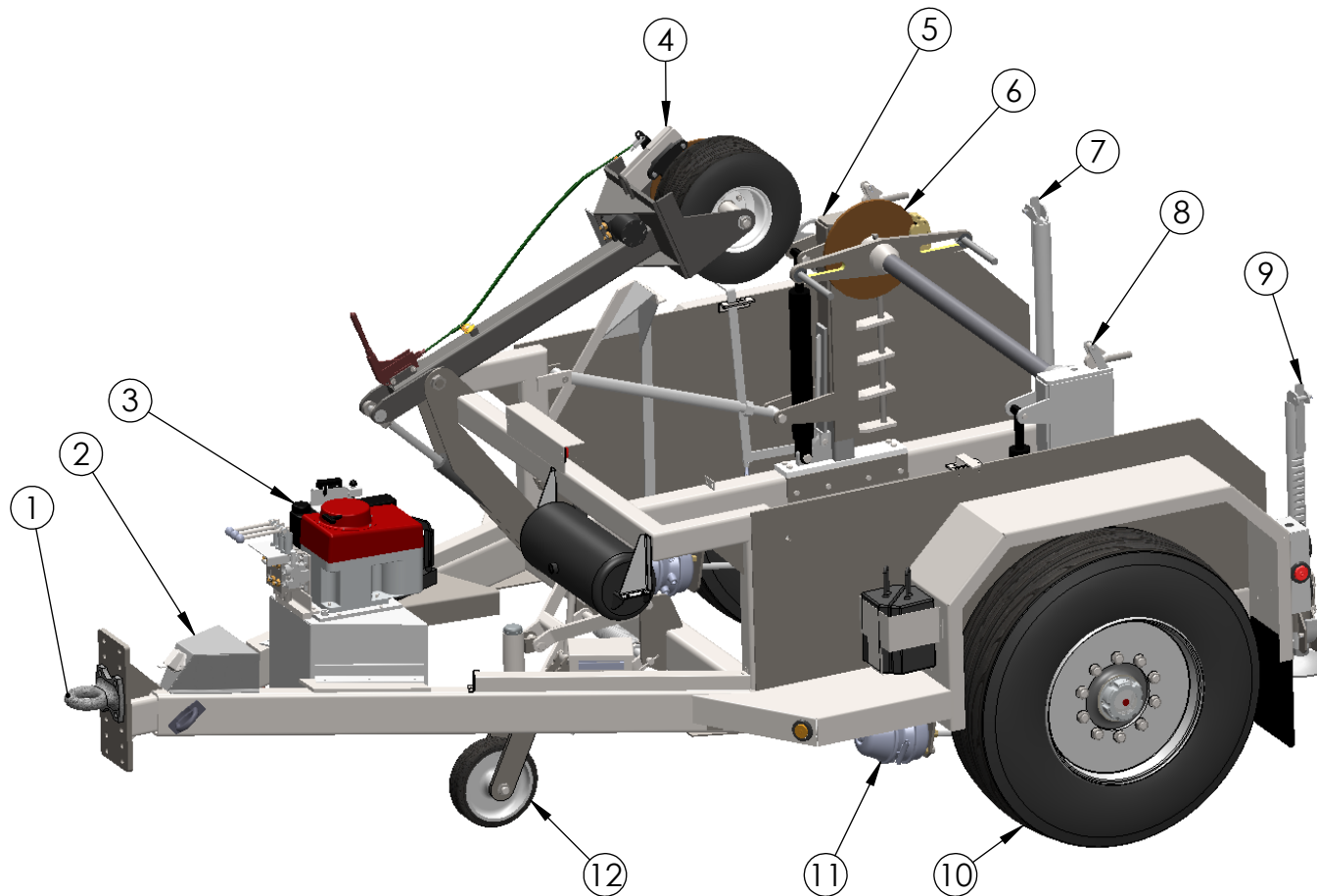
If items look different from the parts breakdown please call for assistance. (541)354-1001



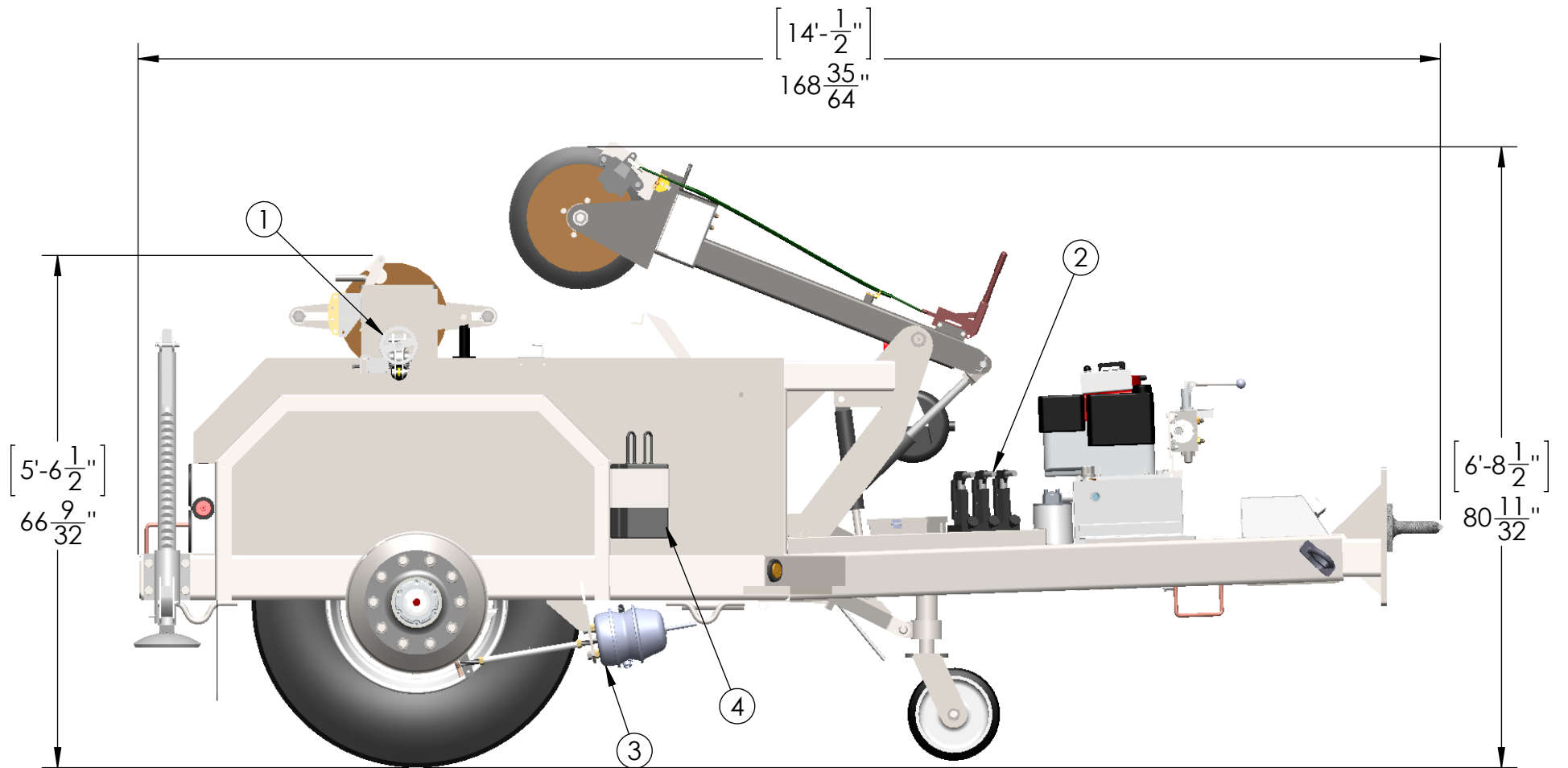
"Rugged Dependability."

COPYRIGHT 2020 HOGG & DAVIS, INC

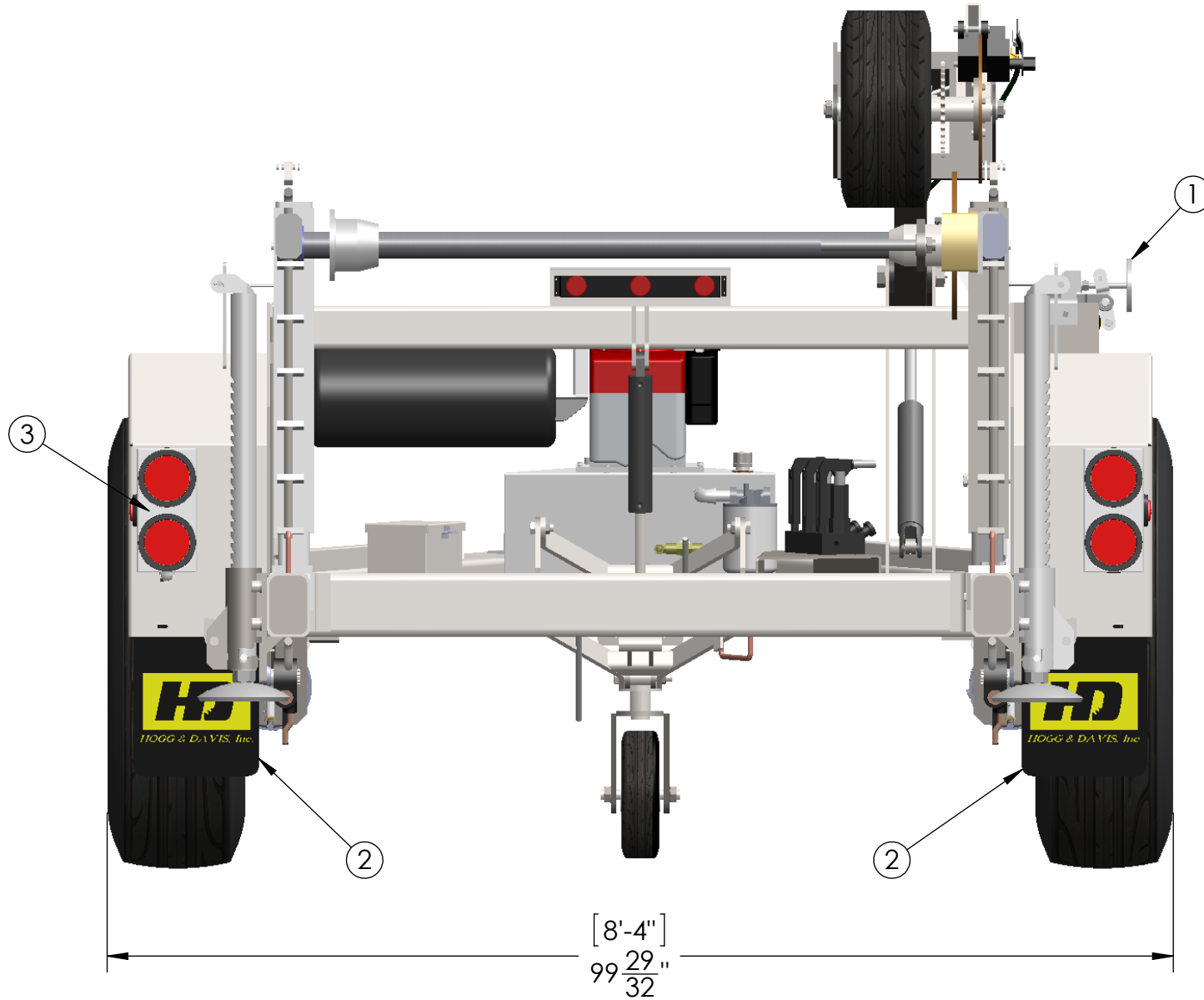




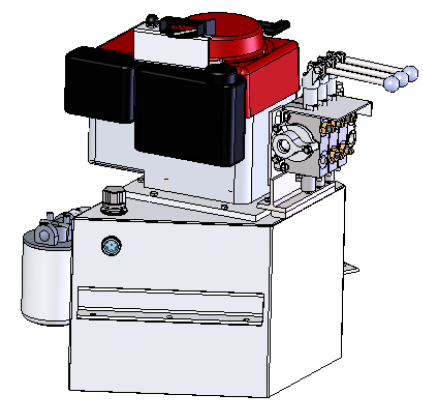
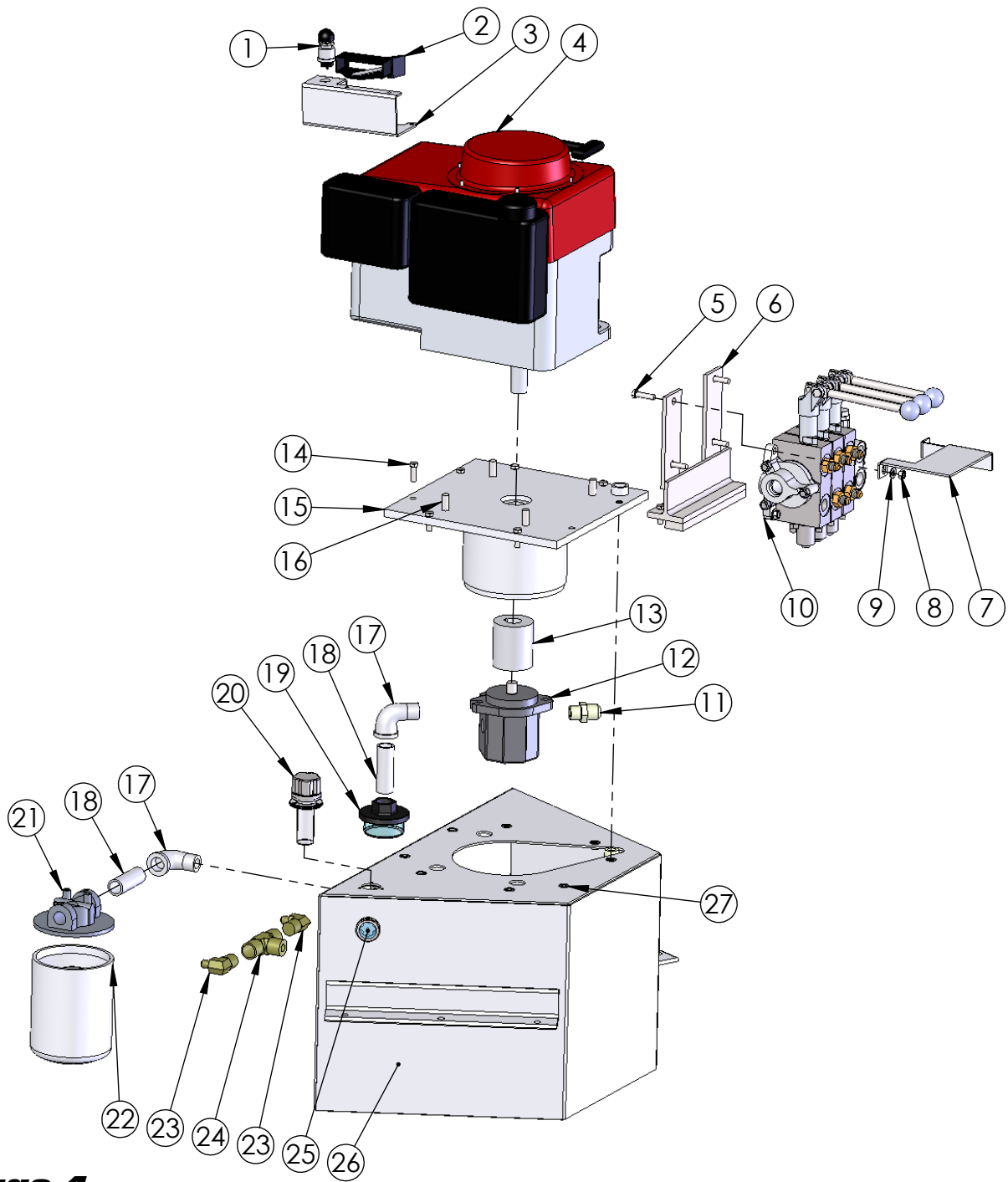
ITEM NO.	PART NUMBER	DESCRIPTION	QTY.
1	E04017	Eye, Pintle	1
2	T150 Lighting	See Lighting Sheet	1
3	Power Pack	See Power Pack Sheet	1
4	T1PHR	See Retriever Sheet	1
5	RH Mandrel Assembly	See Mandrel Sheet	1
6	T150 Reel Assembly	See Reel Sheet	1
7	T150 Jackstand RH	See Jackstand Sheet	1
8	LH Mandrel Assembly	See Mandrel Sheet	1
9	T150 Jackstand LH	See Jackstand Sheet	1
10	T08028	TOYO M320 315/80R 22.5	2
11	T150 TRLR BRAKES	Air Brake Assembly	1
12	T150 Idler Wheel Assembly	See Idler Wheel Sheet	1



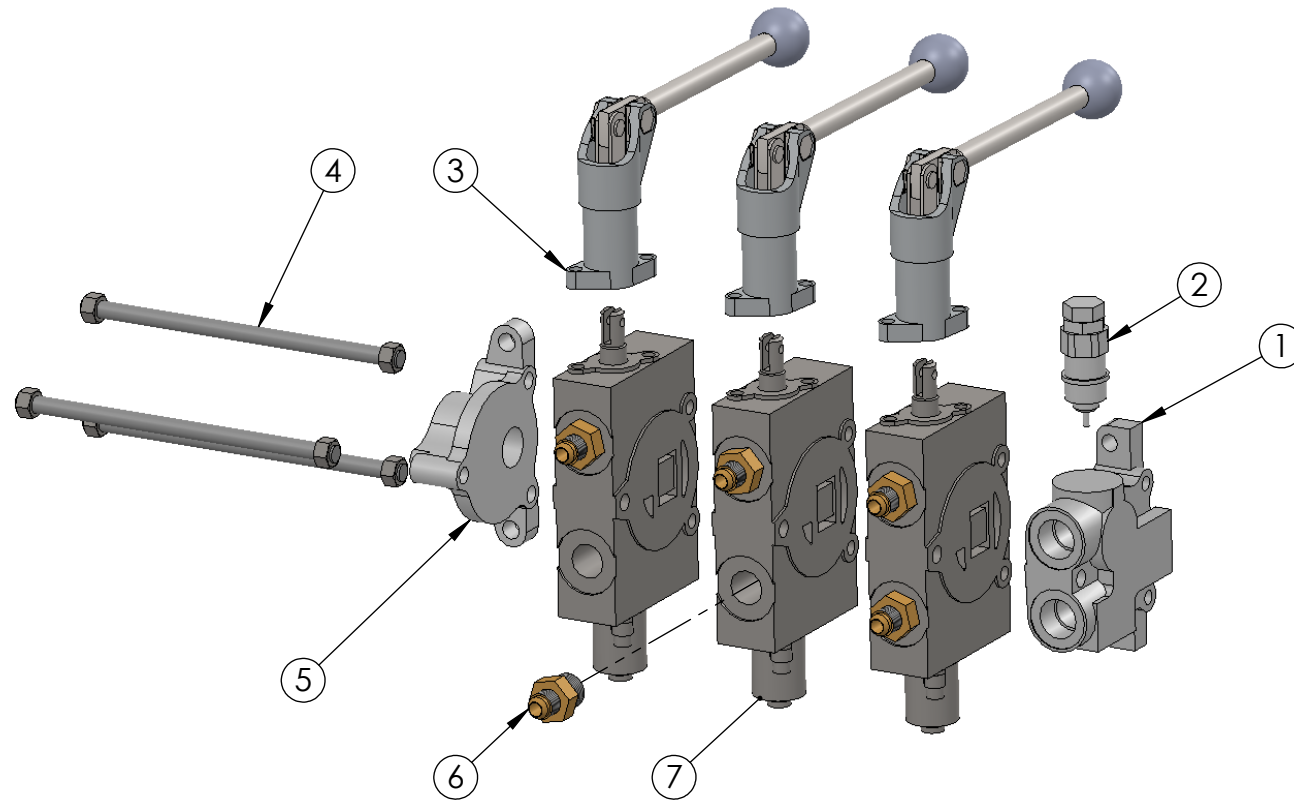
ITEM NO.	PART NUMBER	DESCRIPTION	QTY.
1	T150 T1RBD	See Brake Cylinder Sheet	1
2	P20030	Pump, 3 Stage	1
3	T150 TRLR BRAKES	Air Brake Assembly	1
4	C12005	Wheel Chock	4



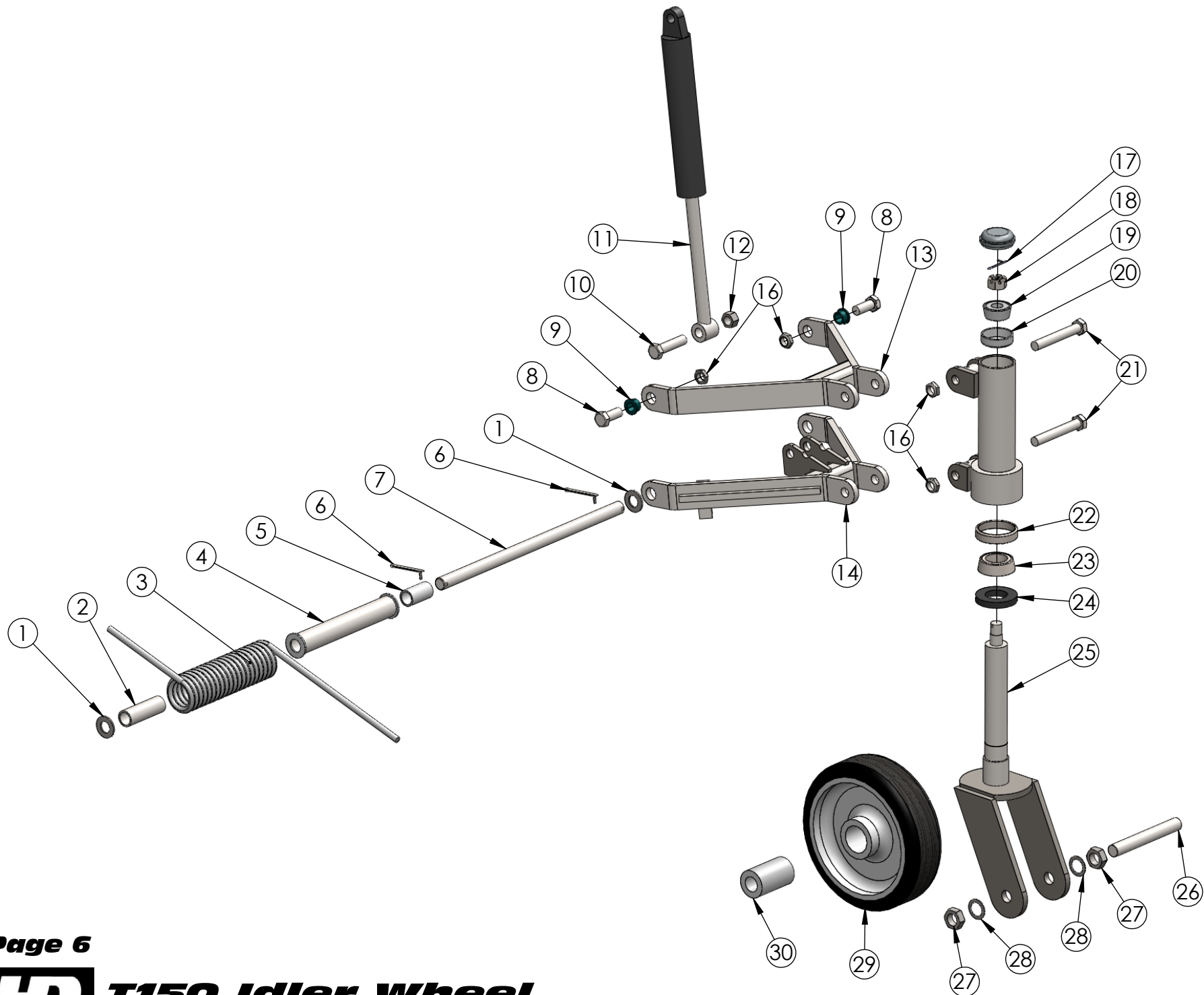
ITEM NO.	PART NUMBER	DESCRIPTION	QTY.
1	T150 T1RBD	See Brake Cylinder Sheet	1
2	F10010	Mud Flap	2
3	T150 Lighting	See Lighting Sheet	1



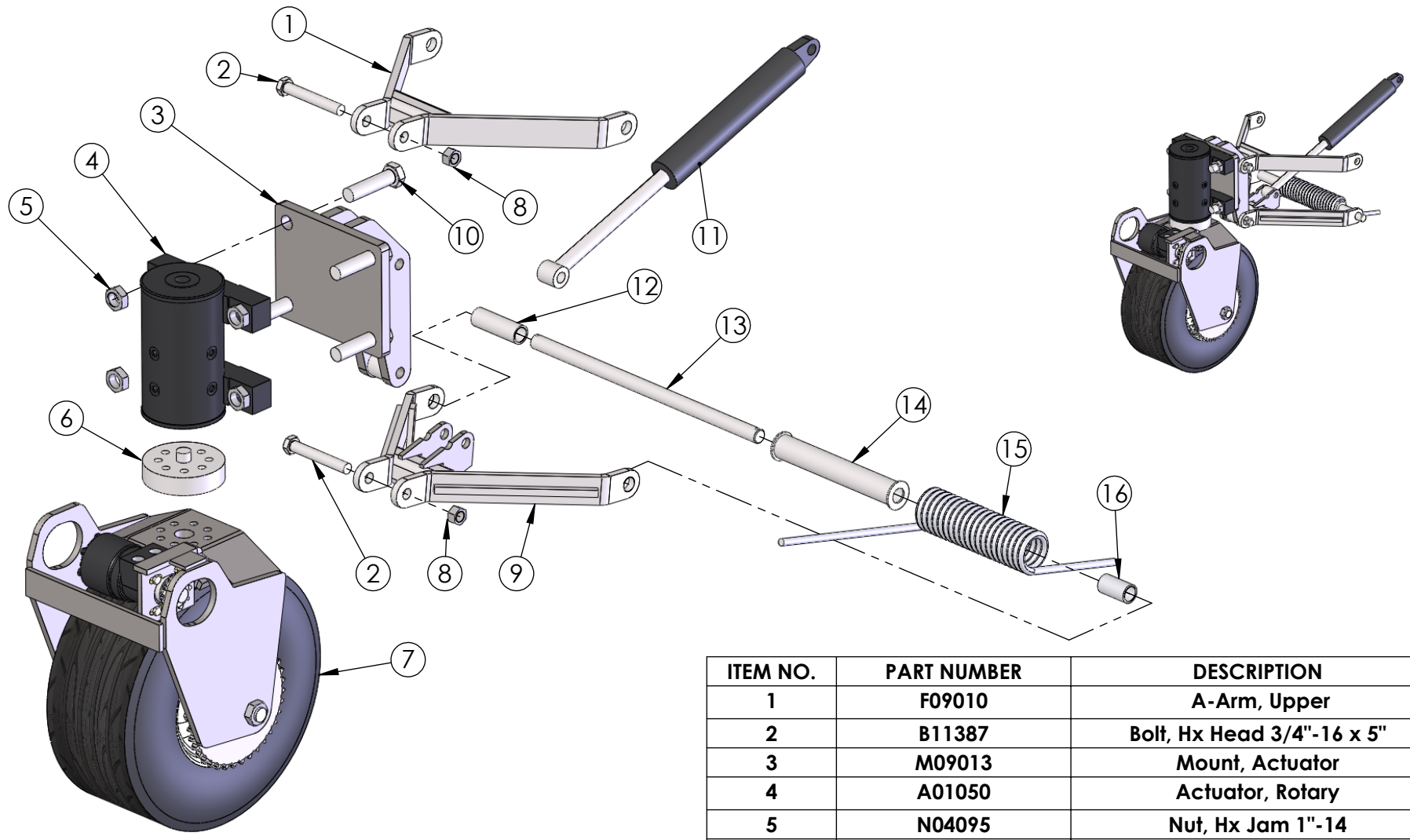
ITEM NO.	PART NUMBER	DESCRIPTION	QTY.
1	S40010	Switch, Ignition	1
2	C02260	Control, Throttle	1
3	B15992	Bracket, Throttle	1
4	E02006	Engine, Honda 13hp	1
5	B11330	Bolt, Hx Head 5/16"-18 x 1-1/4"	4
6	B15919	Bracket, Valve	1
7	P09000	Panel	1
8	N04107	Nut, Hx 5/16"-18	4
9	W01235	Washer, Flat SAE 5/16"zinc	4
10	T150 Husco Valves	See Valve Sheet	1
11	F05270	1/2" Tube-1/2" Pipe	2
12	P20102	Pump, 8 CC/REV	1
13	C28095	Coupler, Pump-Motor	1
14	B11020	Bolt, Hx Head 5/16"-18 x 1"	8
15	A02985	Adapter Plate	1
16	B11014	Bolt, Hx Head 7/16"-14 x 1-1/2"	4
17	E01007	Elbow, 3/4" Street 90°	2
18	N02060	Nipple, 3/4" Pipe	2
19	F04045	Filter, Strainer	1
20	C06018	Cap, Hyd Oil Fill	1
21	F04073	Filter Head	1
22	F04025	Filter, 10 Micron	1
23	F05360	Male 2103-8-6 90	2
24	F05875	Tee 1/2"#212T-8-8	1
25	G02045	Gauge, Sight Level	1
26	R14020	Tank, Hydraulic	1
27	N04960	Nutsert, 5/16"-18	8



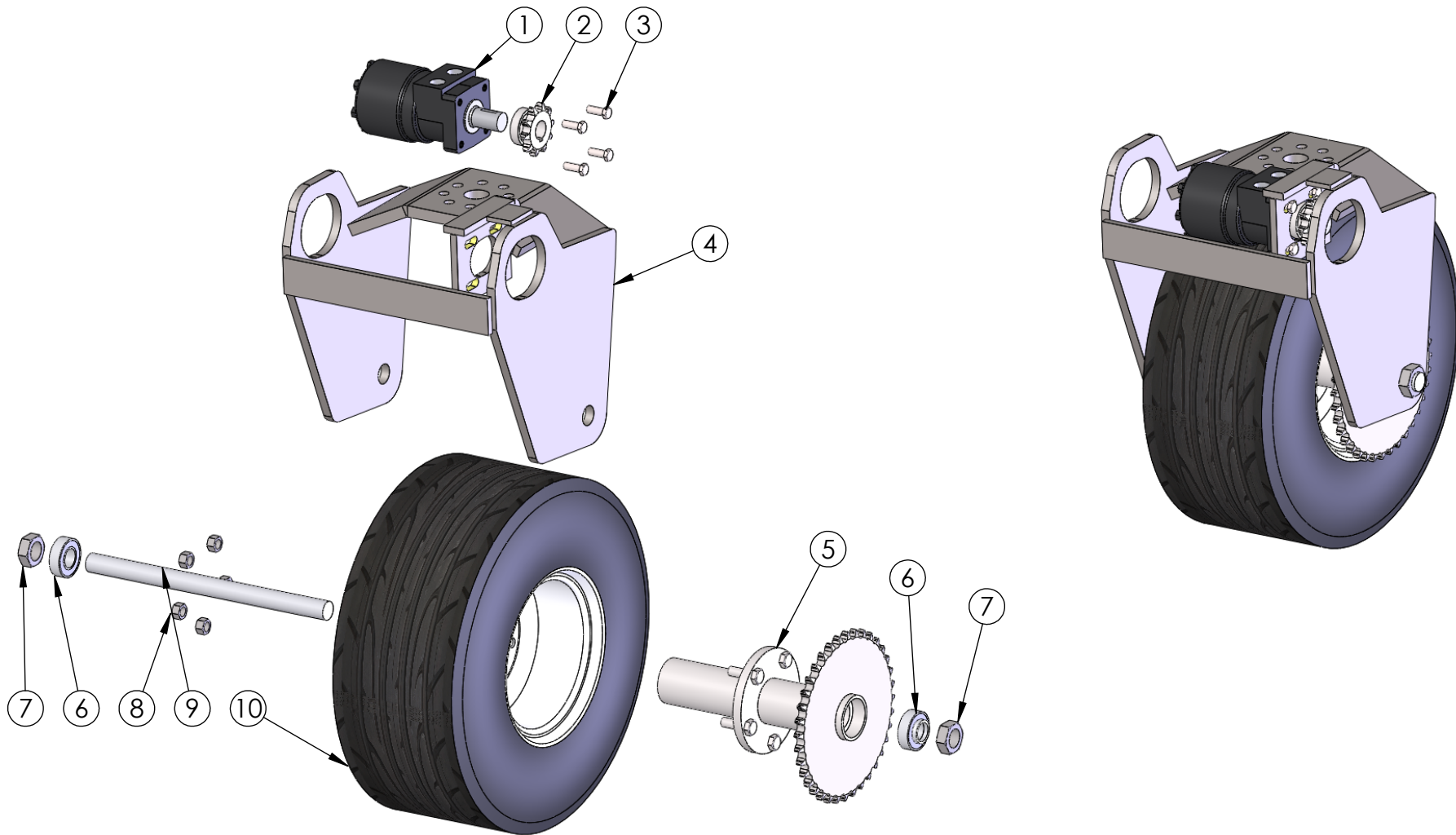
ITEM NO.	PART NUMBER	DESCRIPTION	QTY.
1	V02140	Inlet w/relief	1
2	V02150	relief valve	1
3	B15910A	Handle, Straight	3
4	K02313	Kit, Tie Rod, 3-Bank Husco	1
5	V02083	outlet	1
6	F05043	Fitting, 6-8 Str SAE	5
7	V02130	Double Acting	3



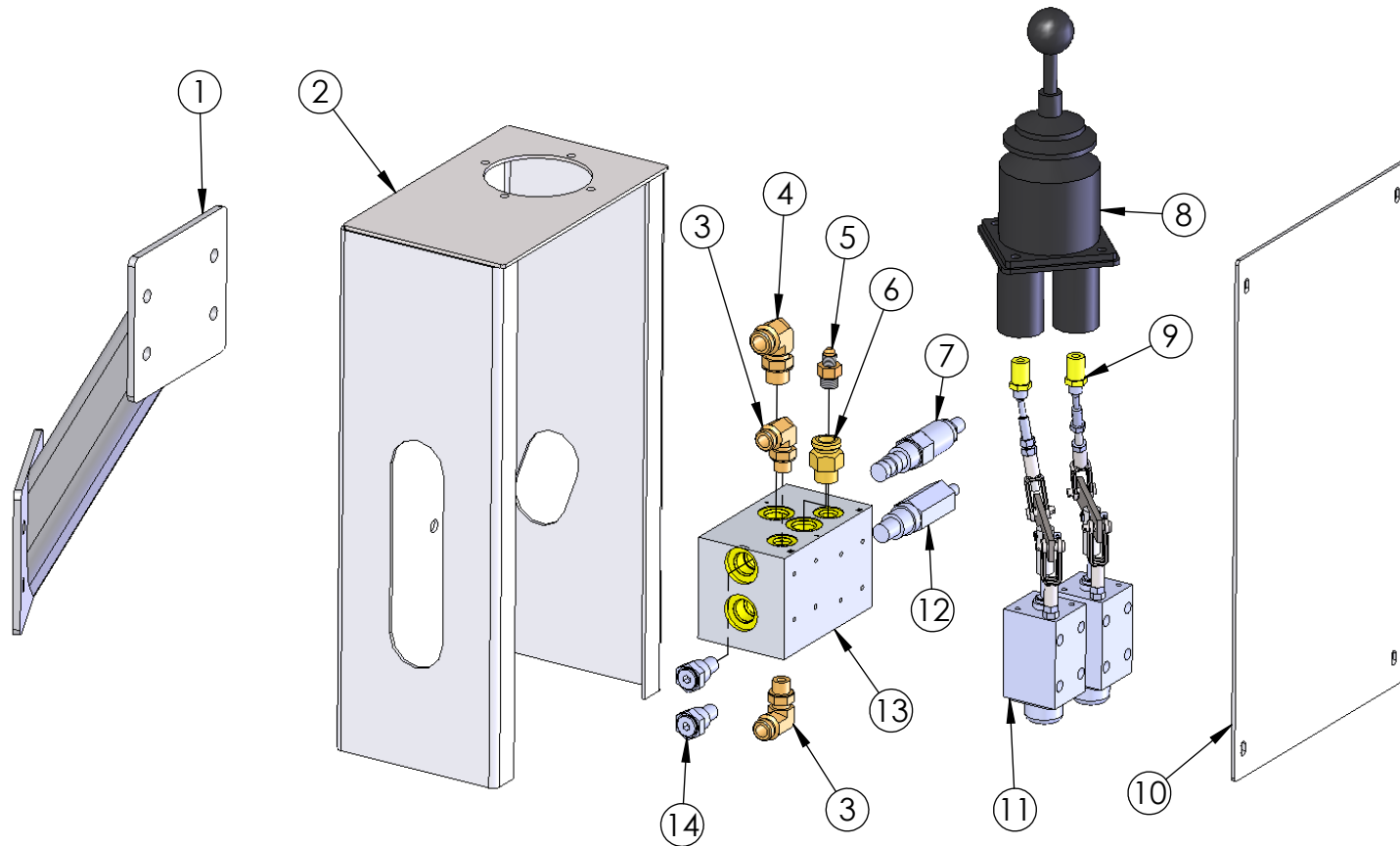
ITEM NO.	PART NUMBER	DESCRIPTION	QTY.
1	W01281	Washer, Flat SAE 7/8"	2
2	S24002	Pipe, 1" Sch 40	1
3	S28101	Spring, 985 torsion, LH	1
4	S24070	Spacer, Idler Lift Spring	1
5	S24003	Pipe, 1" Sch 40	1
6	P06971	Pin, Cotter 1/4x2-1/2 Z	2
7	S43098	Shaft, 1" dia.	1
8	B11447	Bolt, Hx Head 3/4"-16 x 1-3/4" Z8	2
9	B07365	Bearing, I-Glide 3/4x1x5/8	2
10	B11025	Bolt, Hx Head 3/4"-16 x 3"	1
11	C32070	Levelwind Cylinder	1
12	N04285	Nut, Hx 3/4"-16	1
13	F09010	A-Arm, Upper	1
14	F09038	A-Arm, Lower	1
15	H08025	Housing	1
16	N04587	Nut, Hx Jam Nylock® 3/4"-16	4
17	P06925	Pin, Cotter 1/8" x 2" Z	1
18	N04020	Nut, Hex Slotted 7/8"-14	1
19	B07055	Bearing, Taper Roller	1
20	B07170	Race, Bearing	1
21	B11449	Bolt, Hx Head 3/4"-16 x 5" Z8	2
22	B07165	Race, Bearing	1
23	B07160	Bearing, Taper Roller	1
24	R15005	Retainer, Grease	1
25	F08915A	Fork	1
26	A07005	Bar, Chrome 1"	1
27	N04095	Nut, Hx Jam 1"-14	2
28	W01090	Washer, Internal Lock 1"	2
29	W03020	Wheel	1
30	B07058	Bearing, Wheel	1



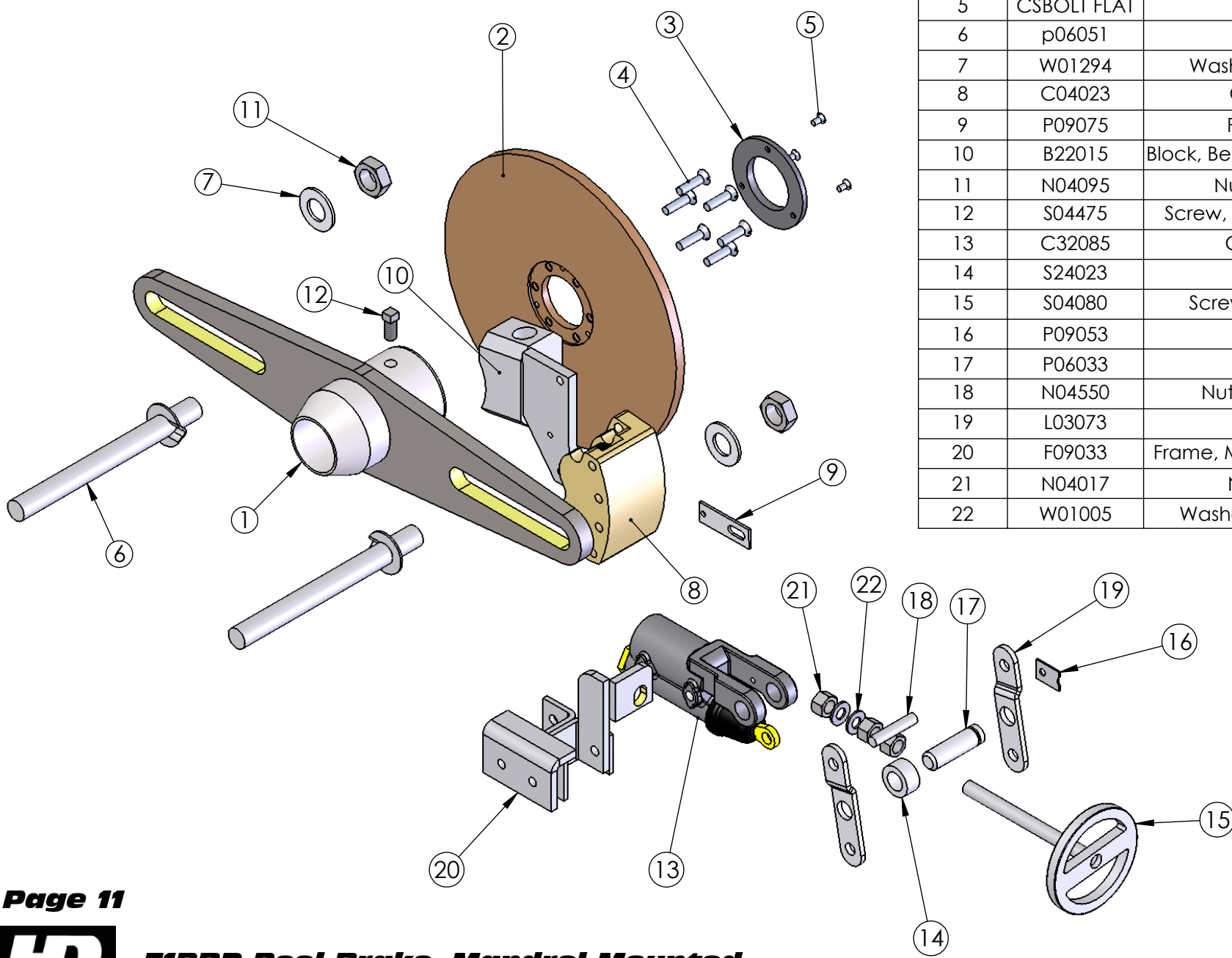
ITEM NO.	PART NUMBER	DESCRIPTION	QTY.
1	F09010	A-Arm, Upper	1
2	B11387	Bolt, Hx Head 3/4"-16 x 5"	2
3	M09013	Mount, Actuator	1
4	A01050	Actuator, Rotary	1
5	N04095	Nut, Hx Jam 1"-14	4
6	S24009	Spacer, Actuator	1
7	Wheel/Frame	See Next Sheet	1
8	N04285	Nut, Hx 3/4"-16	2
9	F09038	A-Arm, Lower	1
10	B11482	Bolt, Hx Head 1"-8 x 4" Z8	4
11	C32070	Cylinder	1
12	S24002	Spacer	1
13	S43098	Shaft, 1" dia.	1
14	S24070	Spacer, Torsion Spring	1
15	S28101	Spring, 985 torsion, LH	1
16	S24003	Spacer	1



ITEM NO.	PART NUMBER	DESCRIPTION	QTY.
1	M08050	Motor, Hydraulic Drive	1
2	S29005	Sprocket, Drive	1
3	B11342	Bolt, Hx Head 3/8"-16 x 1"	4
4	F08912A	Fork, Idler Wheel	1
5	S29905A	Sprocket & Hub Assy.	1
6	B07135	Bearing, 1" I.D.	2
7	N04095	Nut, Hx Jam 1"-14	2
8	N04008	Nut, Hx 1/2"-20	5
9	A07015	Axle, Drive Wheel	1
10	W03905A	Wheel, w/ Tire 185x85C	1

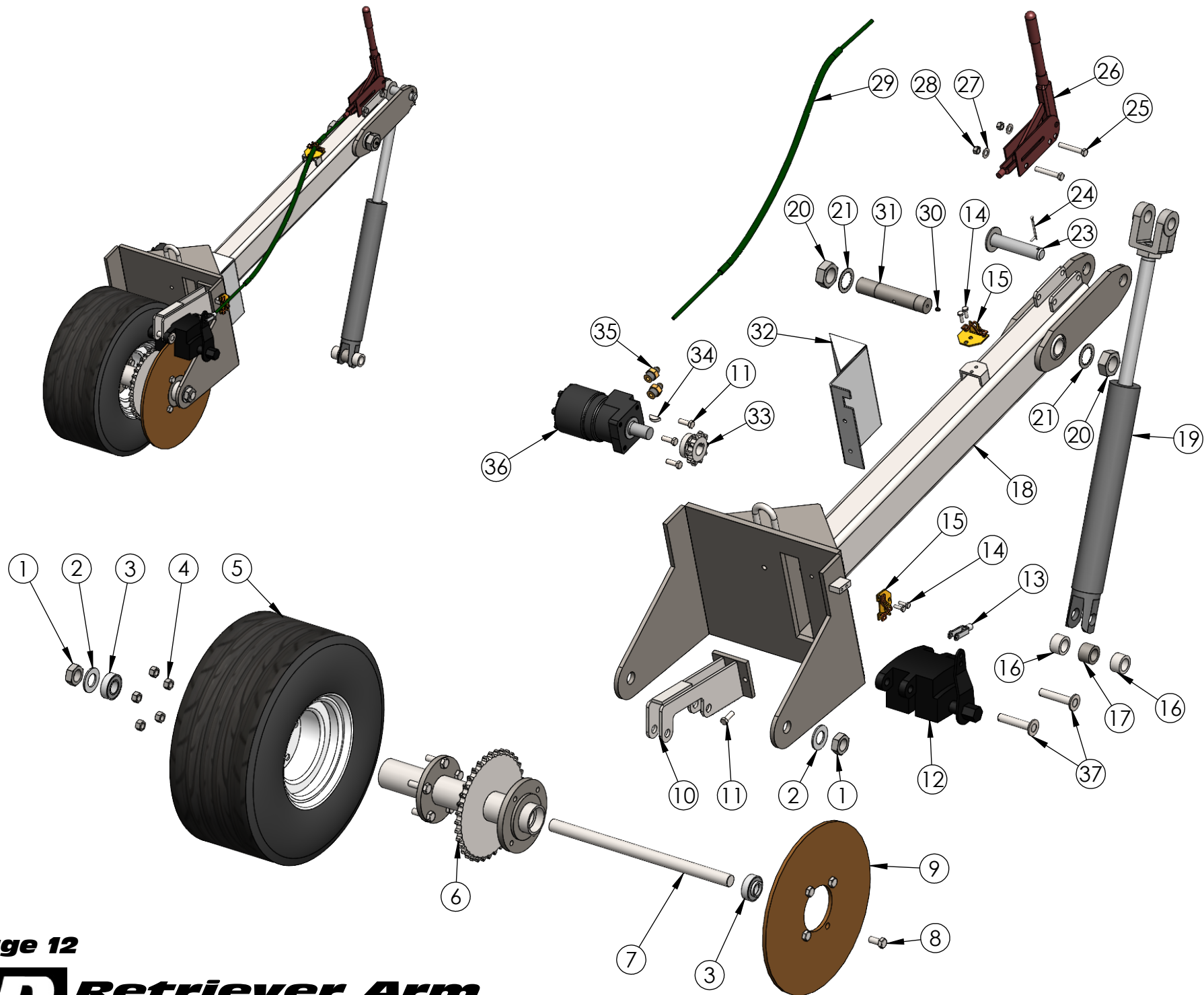


ITEM NO.	PART NUMBER	DESCRIPTION	QTY.
1	B15088	Bracket, Steer-go Box	1
2	B13930	Box Steer-Go	1
3	F05324	Fitting, 6-6 90° STC	2
4	F05326	Fitting, 8-8 90° STC	1
5	F05754	Fitting, 4-6 Str SAE	2
6	F05322	Fitting, 8-8 STR STC	1
7	V02401	Valve, Priority Flow	1
8	L03055	Lever, Steer-Go Joystick	1
9	K02500	Kit, Linkage	2
10	C29120	Cover, Steer-Go	1
11	V02021	Valve, Directional	2
12	V02186	Valve, Relief	1
13	M04015	Manifold Steer-Go	1
14	V02185	Valve, Check	2

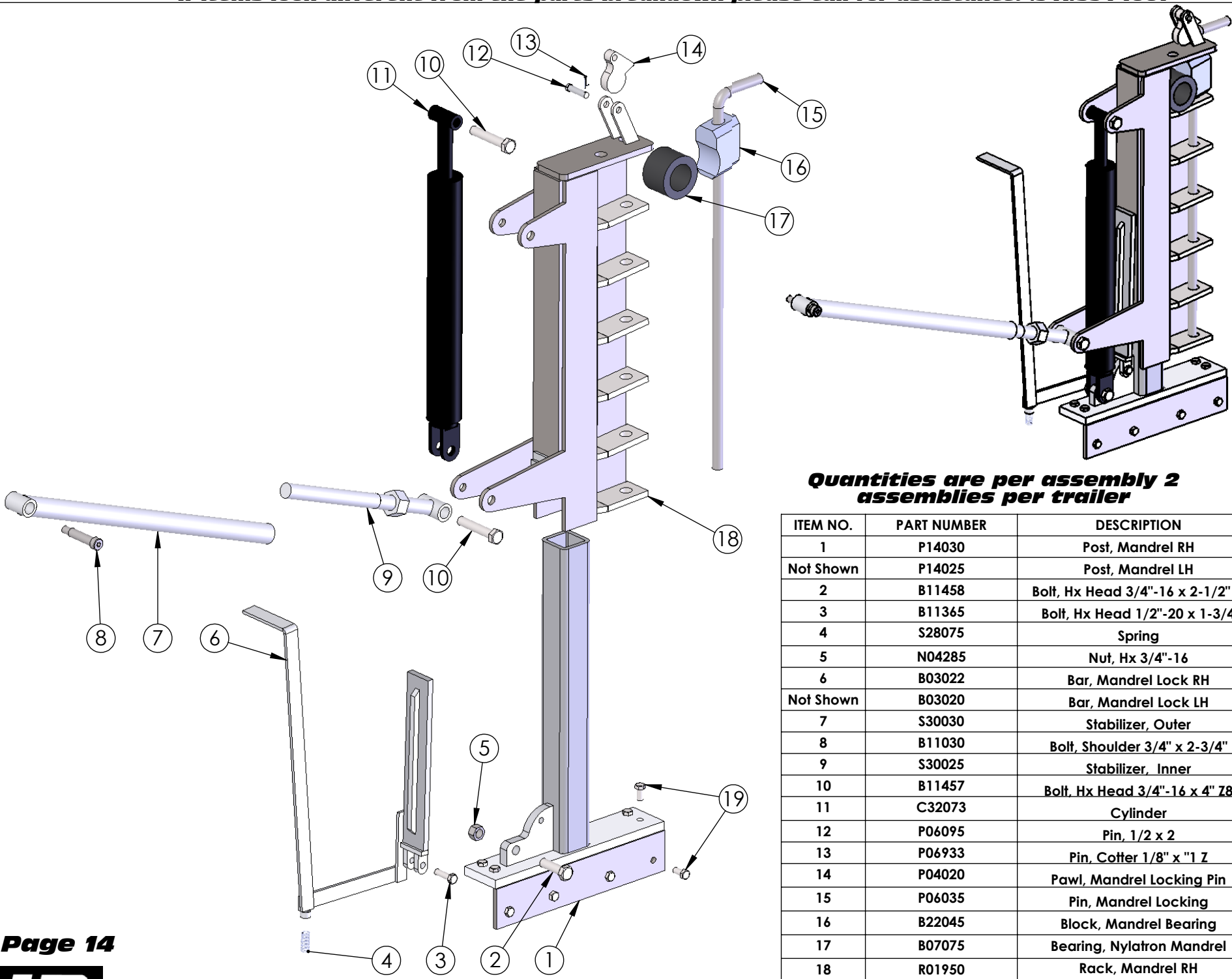


ITEM NO.	PART NUMBER	DESCRIPTION	QTY.
1	C25060	Cone and Driver Assy.	1
2	D02010	Disc, Brake	1
3	S24030	3/8" PLATE	1
4	CS FLAT	3/8"-16 X1"	6
5	CSBOLT FLAT	1/4"-20 X 1/2"	3
6	p06051	Pin, 1" Reel	2
7	W01294	Washer, Flat SAE 1"zinc	2
8	C04023	Caliper, Brake	1
9	P09075	Plate, Retainer	1
10	B22015	Block, Bearing w/Caliper Mount	1
11	N04095	Nut, Hx Jam 1"-14	2
12	S04475	Screw, Set Sq Head 1/2" x 1"	1
13	C32085	Cylinder, Brake	1
14	S24023	Spacer	1
15	S04080	Screw, Brake Adjusting	1
16	P09053	Pin Retainer	1
17	P06033	Pin	1
18	N04550	Nut, Brake Adjusting	1
19	L03073	Linkage	2
20	F09033	Frame, Master Cylinder Mount	1
21	N04017	Nut, Hx 5/8"-18	2
22	W01005	Washer, Flat SAE 1/2"zinc	2



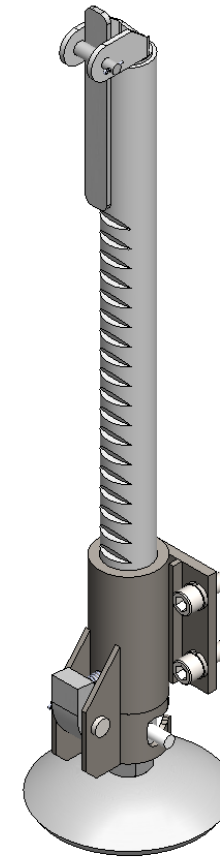
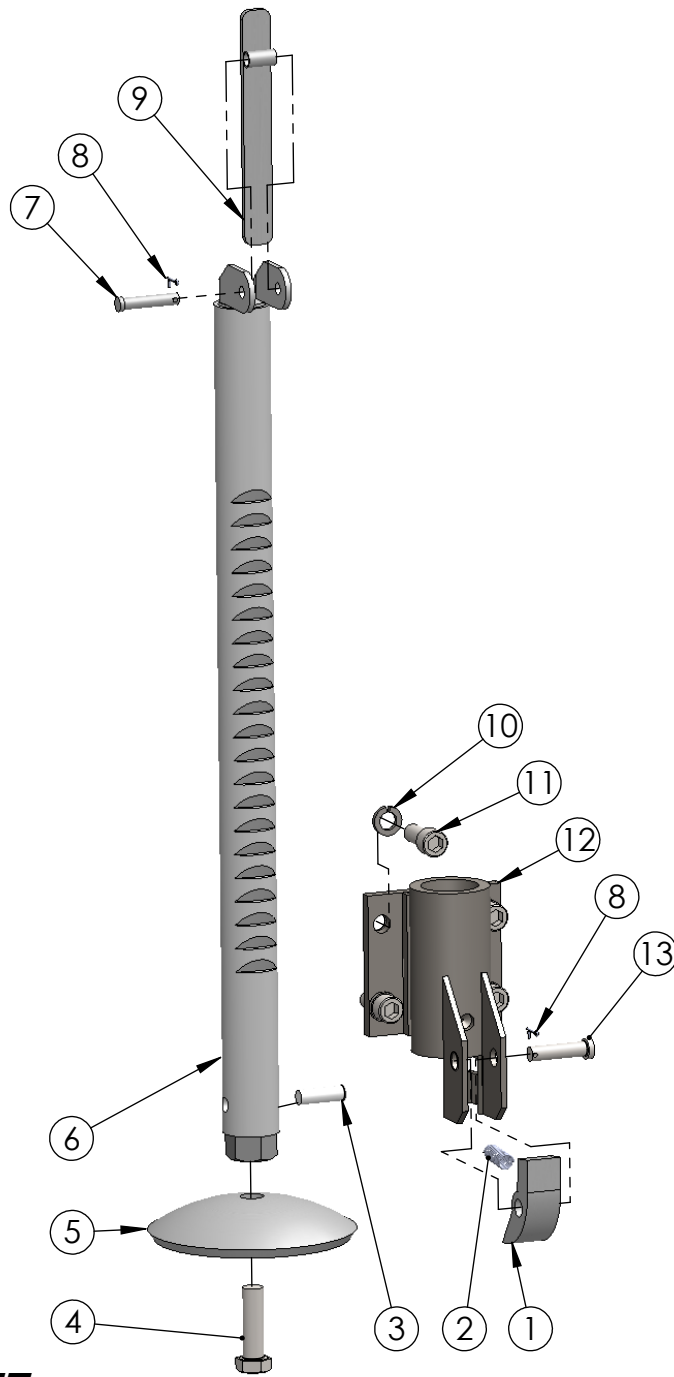


ITEM NO.	PART NUMBER	DESCRIPTION	QTY.
1	N04095	Nut, Hx Jam 1"-14	2
2	W01294	Washer, Flat SAE 1"zinc	2
3	B07135	Bearing, 1" I.D.	2
4	N04008	Nut, Hx 1/2"-20	5
5	W03905A	Wheel, w/ Tire 185x85C	1
6	H09990	Hub/Sprocket	1
7	A07025	Axle	1
8	B11369	Bolt, Hx Head 1/2"-20 x 1"	4
9	D02035	Disc, Brake	1
10	B15245	Bracket, Brake	1
11	B11342	Bolt, Hx Head 3/8"-16 x 1"	6
12	C04905A	Caliper, Brake	1
13	Y01030	Yoke, Cable	1
14	B11323	Bolt, Hx Head 1/4"-20 x 3/4"	4
15	B15138	Bracket, Cable	2
16	S24004	Tube, Rnd 1-1/2" x 1/4"wall	2
17	C20003	Tube Rnd 1-1/2x1/4 wall	1
18	R23020	Retriever, Arm	1
19	C32180	Cylinder	1
20	N04097	Nut, Hx Jam 1-1/4"-12	2
21	W01095	Washer, Internal Lock 1-1/4"	2
23	P06205	Pin, 1"	1
24	P06948	Pin, Cotter 3/16x2 Z	1
25	B11346	Bolt, Hx Head 3/8"-16 x 2-1/4"	2
26	L03015	Brake Lever	1
27	W01002	Washer, Flat SAE 3/8"zinc	2
28	N04108	Nut, Hx 3/8"-16	2
29	C02013	Cable, Brake	1
30	F05071	Fitting, Grease Zerk 1/4"-28 tap	1
31	P06215	Bar Rnd 1-1/4 Chrome	1
32	G09004	Guard, Chain	1
33	S29005	Sprocket, Drive	1
34	K01073	Key, Woodruf 1/2"	1
35	F05180	Fitting, 6-8 Str NPT	2
36	M08050	Motor, Hydraulic Drive	1
37	P06820	Pin, Disc Brake Caliper	2

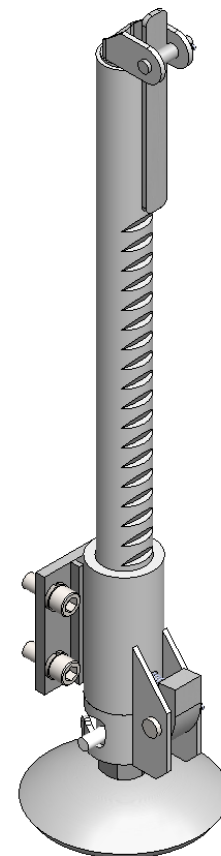
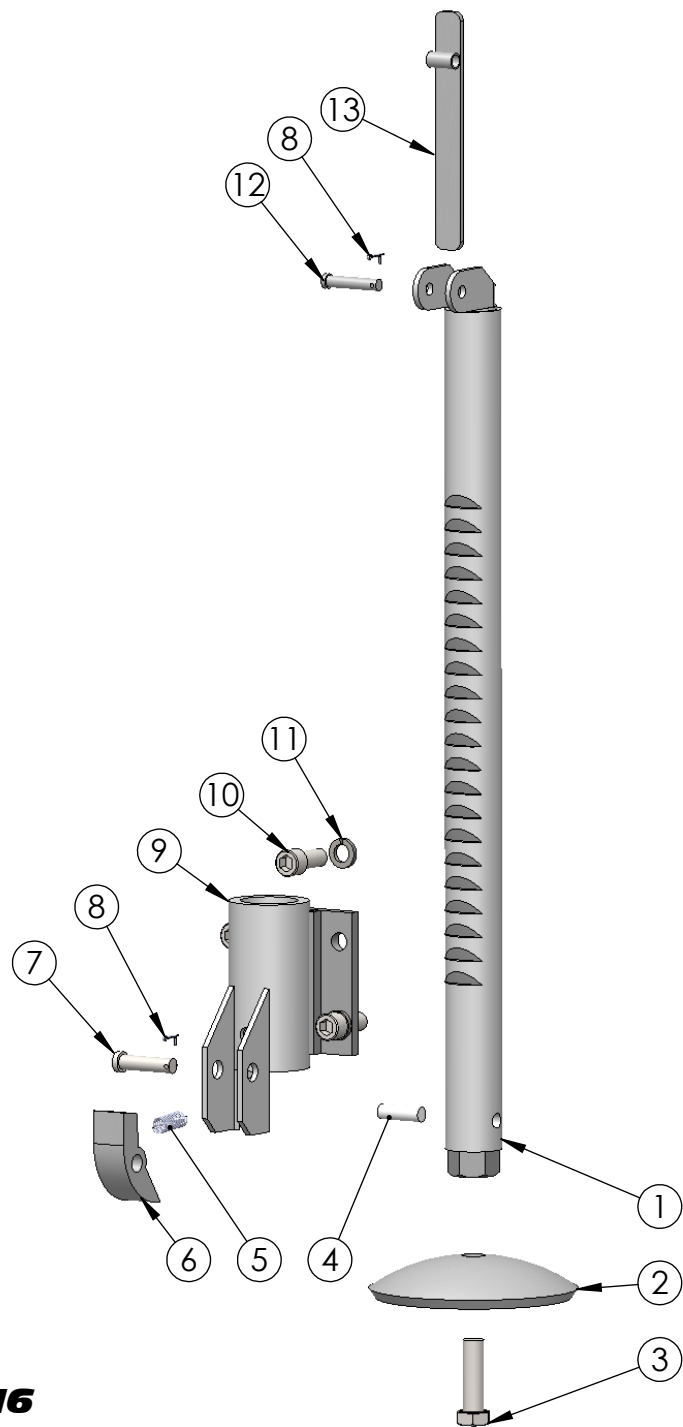


Quantities are per assembly 2 assemblies per trailer

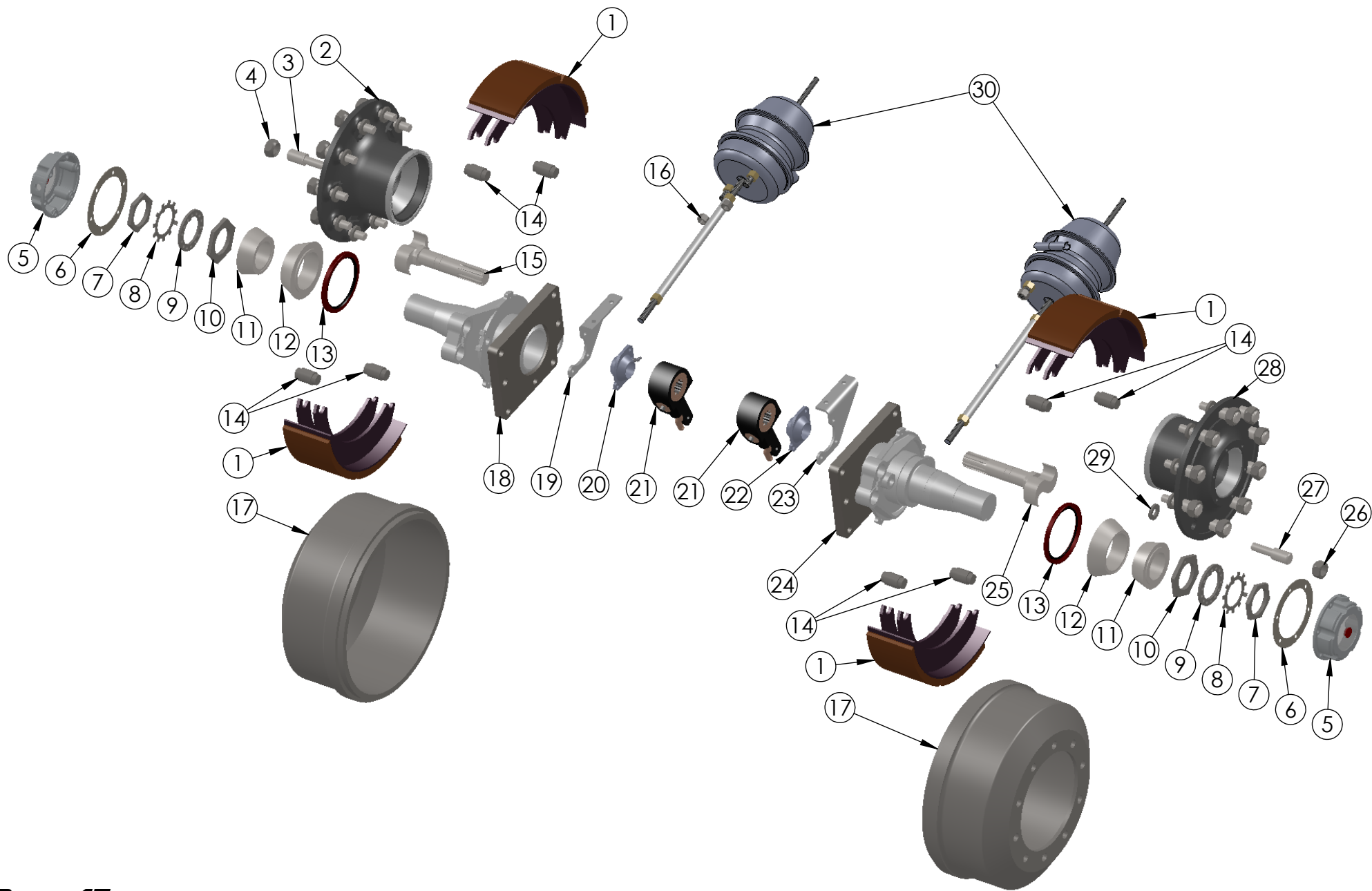
ITEM NO.	PART NUMBER	DESCRIPTION	QTY.
1	P14030	Post, Mandrel RH	1
Not Shown	P14025	Post, Mandrel LH	1
2	B11458	Bolt, Hx Head 3/4"-16 x 2-1/2" Z8	1
3	B11365	Bolt, Hx Head 1/2"-20 x 1-3/4"	1
4	S28075	Spring	1
5	N04285	Nut, Hx 3/4"-16	1
6	B03022	Bar, Mandrel Lock RH	1
Not Shown	B03020	Bar, Mandrel Lock LH	1
7	S30030	Stabilizer, Outer	1
8	B11030	Bolt, Shoulder 3/4" x 2-3/4"	1
9	S30025	Stabilizer, Inner	1
10	B11457	Bolt, Hx Head 3/4"-16 x 4" Z8	2
11	C32073	Cylinder	1
12	P06095	Pin, 1/2 x 2	1
13	P06933	Pin, Cotter 1/8" x "1 Z	1
14	P04020	Pawl, Mandrel Locking Pin	1
15	P06035	Pin, Mandrel Locking	1
16	B22045	Block, Mandrel Bearing	1
17	B07075	Bearing, Nylatron Mandrel	1
18	R01950	Rack, Mandrel RH	1
Not Shown	R01955	Rack, Mandrel LH	1
19	B11369	Bolt, Hx Head 1/2"-20 x 1"	8



ITEM NO.	PART NUMBER	DESCRIPTION	QTY.
1	P04005	Pawl, Jackstand 985/6500	1
2	S28075	Spring, Jackstand	1
3	S37010	Stud, 5/8"-11 X 2"	1
4	B11060	Bolt, Hx Head 7/8"-9 x 3" Z8	1
5	P01020	Pad, Jackstand Large	1
6	J01010	Jackstand	1
7	P06105	Pin, Clevis 1/2 x 2-1/2	1
8	P06933	Pin, Cotter 1/8" x "1 Z	2
9	H02015	Handle, Jackstand	1
10	W01585	Washer, Split Lock 3/4"zinc	4
11	S04245	Screw, SHCS 3/4"-16 x 1-3/4"	4
12	S17930	Sleeve, Jackstand bolt on LH	1
13	P06100	Pin, 3/4"	1

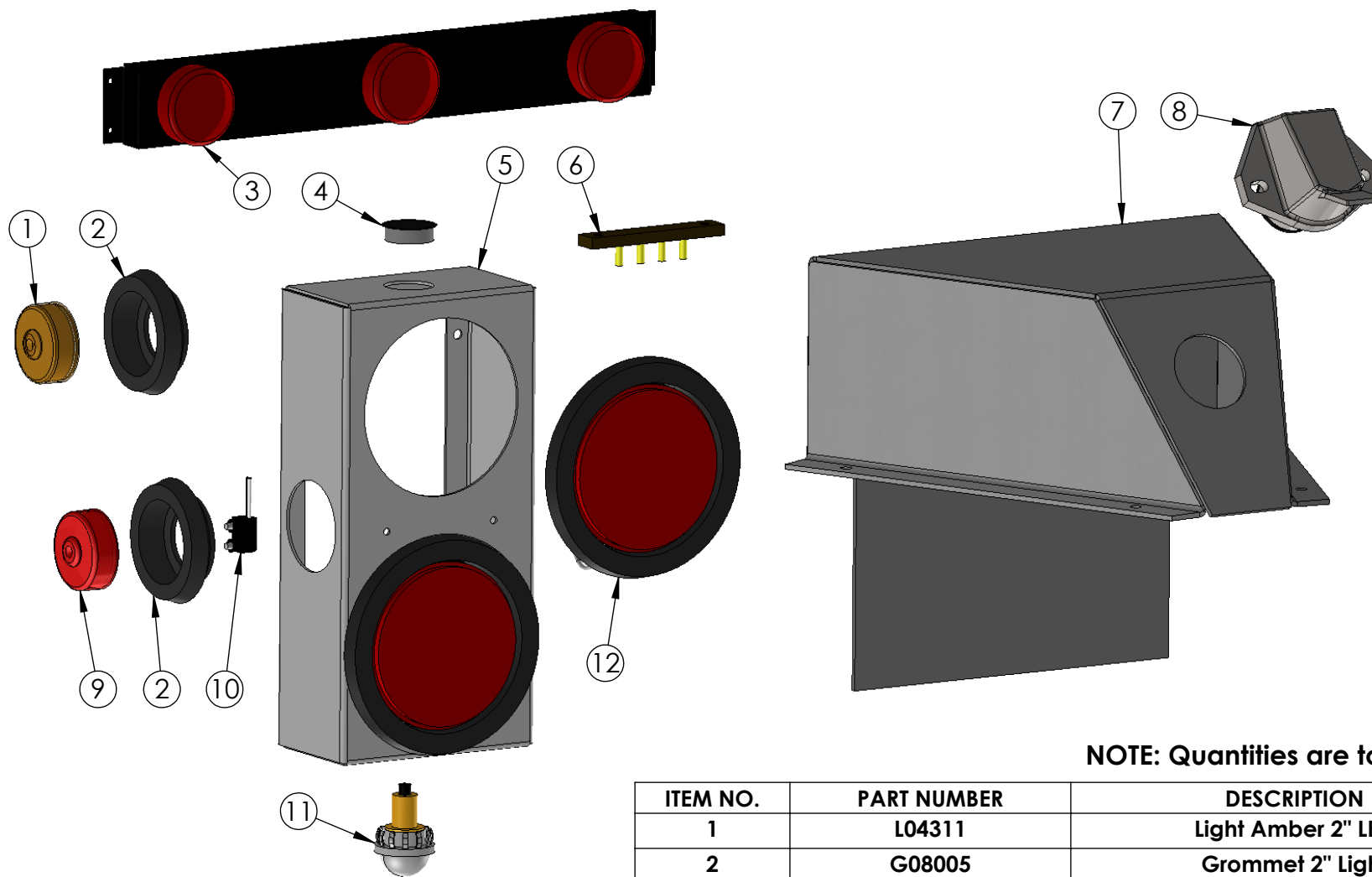


ITEM NO.	PART NUMBER	DESCRIPTION	QTY.
1	J01010	Jackstand	1
2	P01020	Pad, Jackstand Large	1
3	B11060	Bolt, Hx Head 7/8"-9 x 3" Z8	1
4	S37010	Stud, 5/8"-11 X 2"	1
5	S28075	Spring, Jackstand	1
6	P04005	Pawl, Jackstand	1
7	P06100	Pin, 3/4"	1
8	P06933	Pin, Cotter 1/8" x "1 Z	2
9	S17935	Sleeve, Jackstand bolt on RH	1
10	S04245	Screw, SHCS 3/4"-16 x 1-3/4"	4
11	W01585	Washer, Split Lock 3/4"zinc	4
12	P06105	Pin, Clevis 1/2 x 2-1/2	1
13	H02015	Handle, Jackstand	1



ITEM NO.	PART NUMBER	DESCRIPTION	QTY.
1	S15030	Shoe, Air Brake 16-1/2x5	4
2	H09974	Hub Only, Air Brake LH	1
3	S37083	Stud, Air Brake 1-1/8-16 LH	10
4	N04058	Nut, Lug LH 1-1/8"-16	10
5	C06071	Cap, Hub 16-1/2 x 5	2
6	G01010	Gasket, Hub acp 16-1/2x5	2
7	N04202	Nut, Hub Outer	2
8	W01201	Washer, Lock Spindle Tab	2
9	W01202	Washer, Locking Air Brake	2
10	N04201	Nut, Hub Inner	2
11	B07085	Bearing, Outer	2
12	B07140	Bearing, Inner	2
13	S05130	Seal, Grease Hub	2
14	P04002	Pin, Air Brake	8
15	C44015	Cam, Air brake LH	1
16	N04017	Nut, Hx 5/8"-18	4
17	D08000	Drum Only, Air Brake 16-1/2x5	2
18	S26945	Spindle, Air LH	1
19	B15097	Bracket, S-Cam Bushing LH	1
20	B15902	Bushing,S-Cam RH	1
21	A11030	Adjuster, Auto Slack 10 spline	2
22	B15903	Bushing S-Cam LH	1
23	B15096	Bracket, S-Cam Bushing RH	1
24	S26953	Spindle Air RH	1
25	C44020	Cam, Air brake RH	1
26	N04059	Nut, Lug RH 1-1/8"-16	10
27	S37082	Stud, Air Brake 1-1/8-16 RH	10
28	H09975	Hub Only, Air Brake RH	1
29	W01290	Washer, Thick Drum Assembly	20
30	C32095	Can, Air Brake	2





NOTE: Quantities are totals for entire trailer

ITEM NO.	PART NUMBER	DESCRIPTION	QTY.
1	L04311	Light Amber 2" LED	2
2	G08005	Grommet 2" Light	4
3	L04061	Light, 3 bar LED	1
4	P10175	Plug, Plastic Button 1-1/4"	3
5	B13046	Box, Vertical	2
6	B22050	Block, 4 Pole Terminal Strip	2
7	H05067	Hood, Electrical	1
8	S21035	Socket 7-wire Pollak	1
9	L04310	Light Red 2" LED	2
10	P05025	Pigtail 2 wire	4
11	L04080	Light, License	1
12	L04032	Light, 4" Tail/Stop/Turn Kit LED	4



Torque Specifications



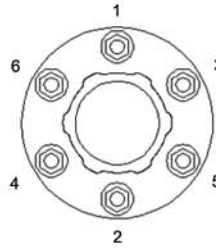
HUBS (For Ball Seat Mounted Disc Wheels) 6 and 10 Stud Hubs

Applies to 3/4-16 and 1 1/8-16 Fastener Sizes

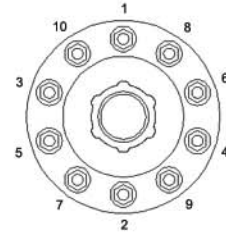
RECOMMENDED TORQUE DRY: 450-500 ft. lbs.

INNER CAP NUTS - First tighten cap nuts to 50 ft. lbs. using sequence shown. Then tighten cap nuts to recommended torque (450-500 ft. lbs. DRY) using sequence shown.

OUTER CAP NUTS - First tighten cap nuts to 50 ft. lbs. using sequence shown. Then tighten cap nuts to recommended torque (450-500 ft. lbs. DRY) using sequence shown.



6-STUD



10-STUD

Recheck torque after first 50 to 100 miles of service and retorque as required to recommended torque specifications.

NOTE: In all applications where an aluminum disc wheel is to be installed, a special inner cap nut must be substituted for the standard inner cap nut.



HUBS (For Pilot Mounted Disc Wheels) 8 and 10 Stud Hubs

Applies to M22 x 1.5 studs/two piece flange nuts

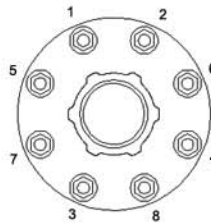
RECOMMENDED TORQUE: 450-500 ft.lbs.

All threads are right hand metric.

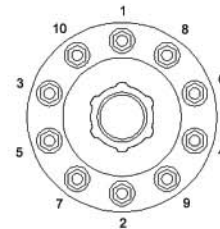
First tighten flange nuts to 50 ft. lbs. using sequence shown.

Check disc-wheels for proper positioning on pilots and proper seating against flange.

Then tighten flange nuts to recommended torque (450-500 ft. lbs.) using sequence shown.



8-STUD



10-STUD

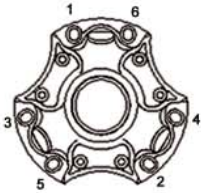
Recheck torque after first 50 to 100 miles of service and retorque as required to recommended torque specifications.



SPOKE WHEELS

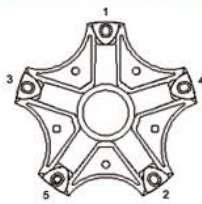
Applies to 3/4-10 Fastener Sizes

RECOMMENDED TORQUE DRY: 200-260 ft. lbs.



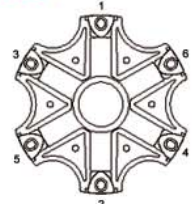
3 SPOKE

TIGHTEN CLAMPS
EVENLY
IN THIS ORDER



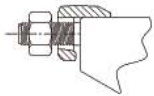
5 SPOKE

TIGHTEN CLAMPS
EVENLY
IN THIS ORDER



6 SPOKE

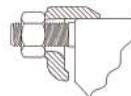
Recheck rim nut torque after first 50 to 100 miles of service and retorquer as required to recommended torque specifications.



Heel-less clamps do not depend on a fulcrum at the bottom of the clamp to produce the force to wedge the rims.

Heel of clamp does not touch wheel.

HEEL-LESS CLAMP



Gap permissible but not required - if gap exceeds 1/4" or if clamp bottoms out before reaching 80% of recommended torque, check to insure that the proper clamps and spacer are being used.

HEEL TYPE CLAMP

IMPORTANT: Do not overtorque! Rim clamp does not have to heel. Overtorquing can deform rim spacer and damage back flange.



BRAKE DRUM or ROTOR ASSEMBLY TORQUE SPECIFICATIONS for Mounting Bolts (Grade 8 Fasteners)

Thread Size		Torque Requirements Foot Pounds		Thread Size		Torque Requirements Foot Pounds	
		Minimum	Maximum			Minimum	Maximum
5/8-18 (Tapped Holes)	Rotate Bolt	150	200	3/4-16 (Wheels)	Rotate Nut	275	300
5/8-18 (Through Holes)	Rotate Nut	150	175	3/4-16 (Hubs)	Rotate Nut	100	225
3/4-10	Rotate Nut	250	275	1-14	Rotate Nut	175	225

Note: All fastener parts must be clean and dry.

WARNING

This brochure contains information taken from our Installation, Service and Safety Instructions Manual. Copies of the complete manual can be obtained at no cost by contacting our Sales Department at the address shown below.

Read and Understand the Installation, Service and Safety Instructions Manual before installing or servicing the hub. Failure to do so may result in personal injury or death, and may result in a compromise of your vehicle's safety through loss or failure of a wheel or compromise of the braking system.

The symbol shown above is used to call your attention to instructions concerning your personal safety and the safety of others. Watch for this symbol. It points out important safety precautions. It means "ATTENTION! Become Alert! Your personal safety is involved!" Read the message that follows and be alert to the risk of personal injury or death.

"The employer shall instruct each employee in the recognition and avoidance of unsafe conditions and the regulations applicable to his work environment to control or eliminate any hazards or other exposure to illness or injury." Ref: 29CFR 1926.20 (b) (4) (a) (2)

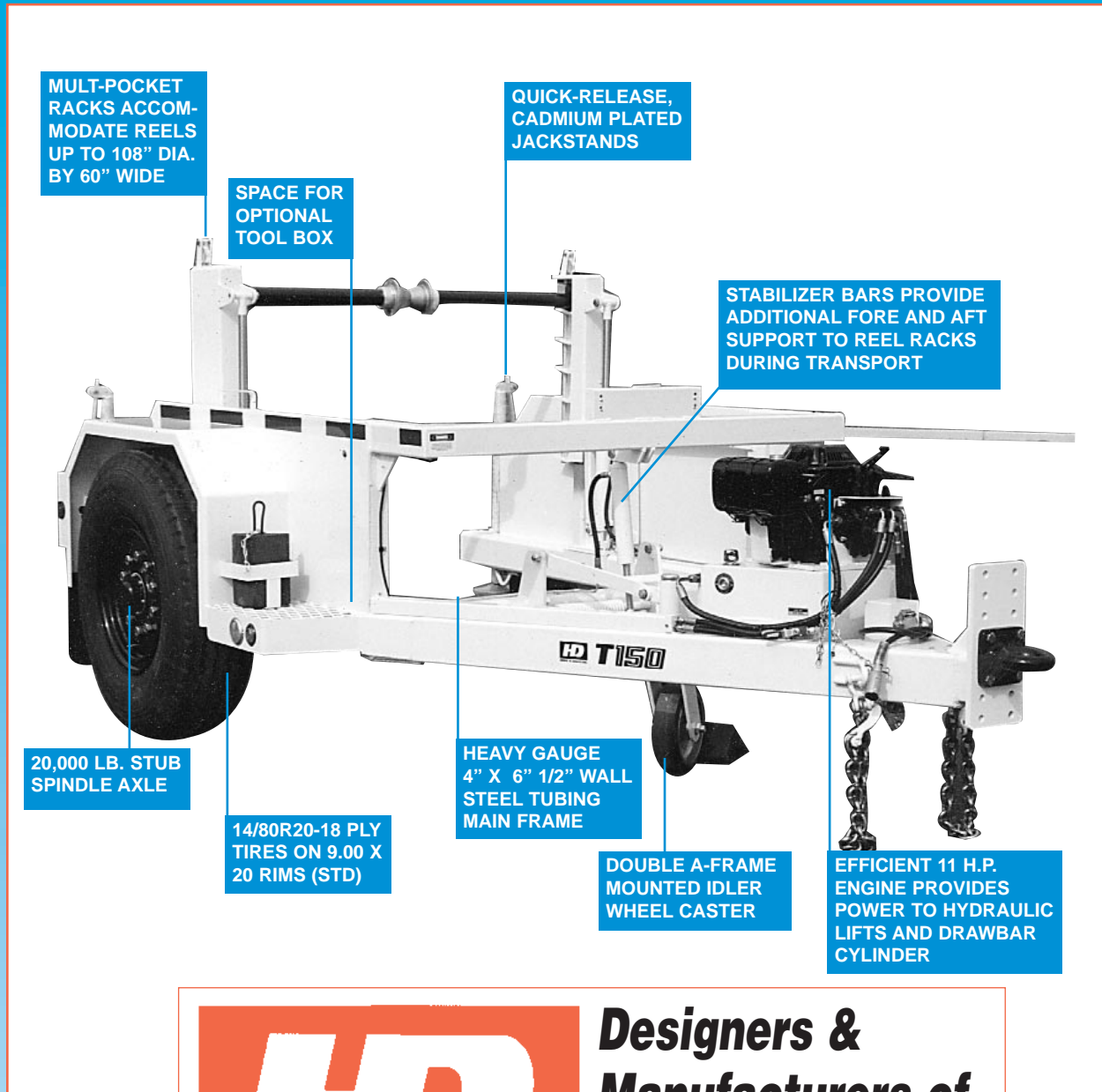
It is understood that safety rules within individual companies vary. If a conflict exists between the material contained in the manual and the rules of a using company, the more stringent rules should take precedence.

Webb Wheel Products, inc. Aftermarket Business Unit www.webbwheel.com



T150

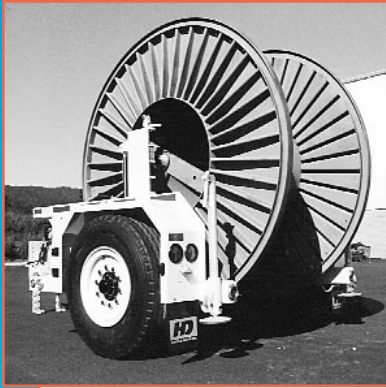
CABLE REEL DOLLY



**Designers &
Manufacturers of
Line Construction
Equipment**

HOGG & DAVIS, Inc.

T150



The Hogg and Davis, Inc. Model T150 Cable Reel Dolly is an open yoke unit designed for low center of gravity reel hauling. It offers operating ease and simple maintenance. The 4" x 6", 1/2" wall tubular frame, super-structure and heavy duty fenders and panels are integrated into a structurally strong and rigid unit designed for years of rugged service. It is backed by the years of experience, knowledge and quality which Hogg and Davis, Inc. represents.

GENERAL SPECIFICATIONS

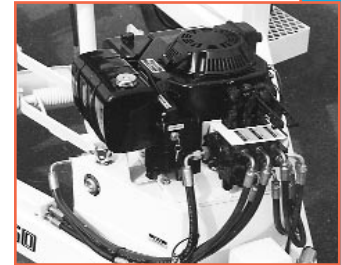
- Reel Capacity: Up to 108" dia. x 60" wide
- Hydraulic Reel Lifts (Double Acting Cylinders)
- Cadmium Plated, Quick-Release Jackstands
- 20,000 lb. Stub Spindle Axle
- 16 1/2" x 5" Electric Brakes (Std), Air Brakes (Optional)
- 14/80R20 - 18 Ply Tires (Std)
- 3"x12" Bearing Mounted Idler Wheel
- Hydraulically Raised Drawbar
- 2 1/2" Reel Mandrel with Tapered Cones, Locking Collars and Nylatron® Bearings
- Adjustable Pintle Eye with Dual Safety Chains
- 12"x16"x22 1/2" Lockable Tool Box (optional)
- Double Shock Mounted Lexan® Lens Lights with Pigtail Connectors (FMVSS108)
- Painted (GMC® Frost White) Baked-On Finish (Std)
- Scratch Resistant Lexan® operating, warning decal's PPG@DCC2185 or PPG@DU2185

DIMENSIONS

Length: 164" (4165mm)	GVWR: 18,900 lbs. (8571 Kg.)
Width: 92" (2337mm)	Gawr: 18,180 lbs. (8244 kg.)
Height: 61" (1549mm)	Approx. Tongue Wt. 550 lbs. (249 kg.)
Approx. Wt. 3,800 lbs. (1,723 kg.)	Approx. Tongue Wt.: 850 lbs. (385 kg.) with Retriever

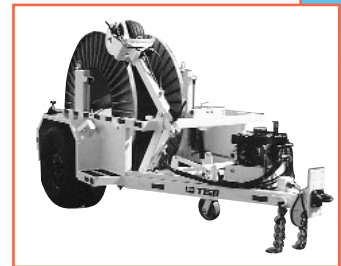
POWER PACK UNIT

4-cycle, single cylinder, overhead valve, air cooled, gasoline, pressure lubricated, with oil filter, vertical shaft, aluminum head and block engine. Mounted on a 15 gallon hydraulic reservoir with submerged hydraulic pump. Electric start with rope crank for back up.



OPTIONAL RETRIEVER

The hydraulic retriever is designed to provide quick and economical retrieval of wire and cable when used in conjunction with the T150 Cable Reel Dolly. Capable of developing up to 2,000 lbs. bare drum pull, the retriever is ideal for winding tails, open wire, dropped spans, etc.



In order that product improvement may be introduced at any time, specifications are subject to change without notice.



P.O. BOX 405
3800 EAGLE LOOP
ODELL, OR 97044
TEL (541) 354-1001
FAX (541) 354-1080
www.hoggdavis.com

DISTRIBUTED BY



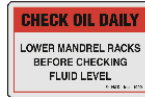
D30001
(1)

HOGG & DAVIS, INC
www.hogadavis.com

D30018
(1)



D30010
(1)



D30032
(1)



D30034
(3)



D30043
(2)

LOADING INSTRUCTIONS

IMPORTANT: This unit is designed to load a reel that is setting on the ground. **DO NOT LOAD WITH FORKLIFT** or other device as this causes cable damage and can affect the safe carrying procedures of this unit. **FOLLOW DIRECTIONS.**

LOADING PROCEDURE

- To load, make sure power driving unit is forward as far as possible.
- Lower mandrel flts to bottom.
- Pull out mandrel; lock rods, remove mandrel and install in reel.
- If reel flange is over 2 1/2" in diameter, use tapered cones for centering.
- Always center mandrel in reel so that reel will be centered in dolly.
- Install lock collar on each side of reel.
- Place bearing on side of mandrel.
- Roll reel into unit or back unit as applicable reel into lifting racks. Insert mandrel into lowest rack possible.
- Put bearing block in place on each end of mandrel; hold bearing.
- Insert mandrel rack rods through rack and bearing block.
- Set cylinder locks - one on each side. These are located at rear of loaders. Push handle down to engage.
- Raise reel unit; lock strap in place.
- Cover reel with both valves and hold for 30 seconds to take load off lifting cylinders. Check status for lifting oil leaks.
- Adjust each set of drive wheels to center on reel flanges.
- See instructions for adjusting rollers for proper reel clearance.
- Move power up against reel flange before towing this dolly.

BEFORE TOWING VEHICLE

NOTE: With reels that have a single spoke (note drawing following), have spoke in vertical position before moving power unit against flanges.

SINGLE SPOKE REEL

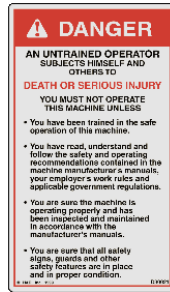
POWER UNIT DRIVE AXLES

HD
HOGG & DAVIS, INC.

D30002
(1)



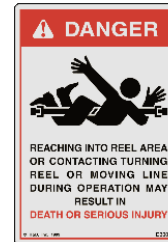
D30017
(1)



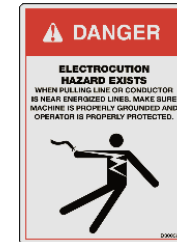
D30021
(1)



D30026
(2)



D30028
(5)



D30036
(3)



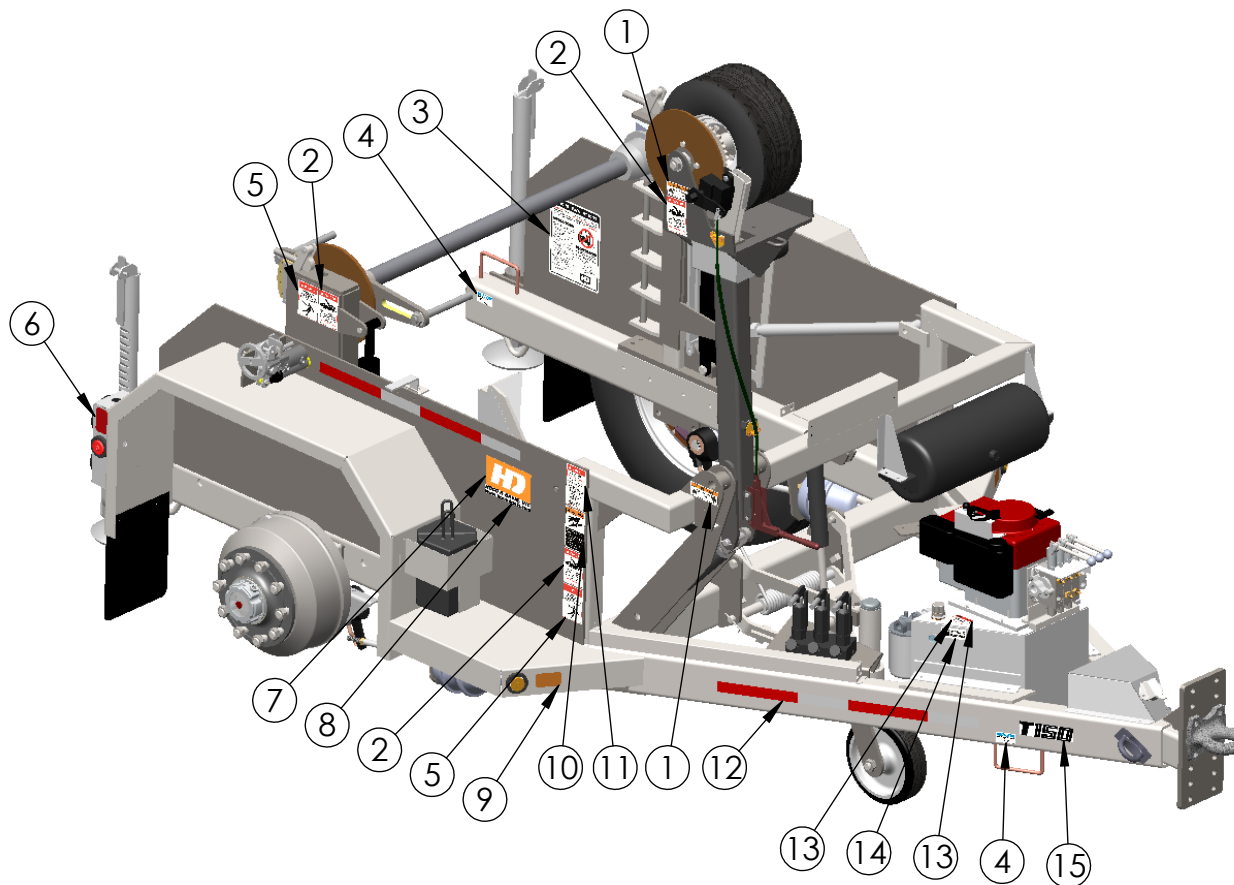
D30037
(1)



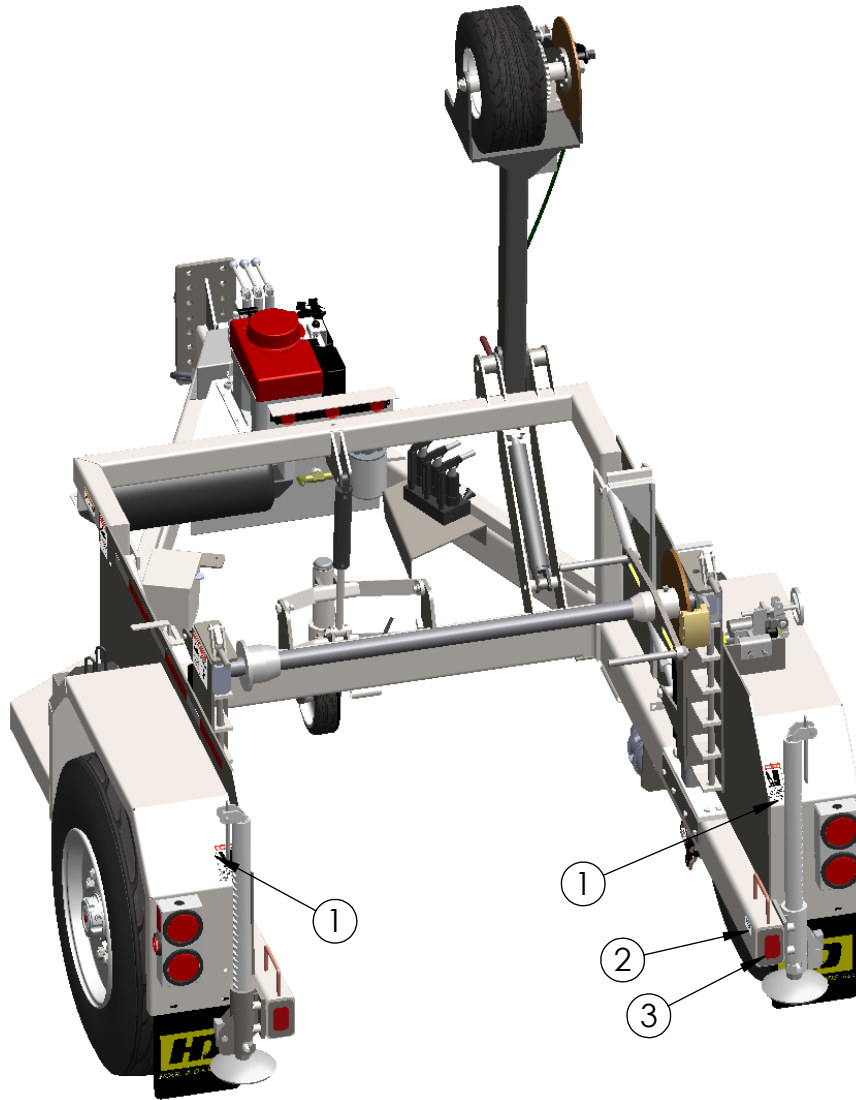
D30042
(3)



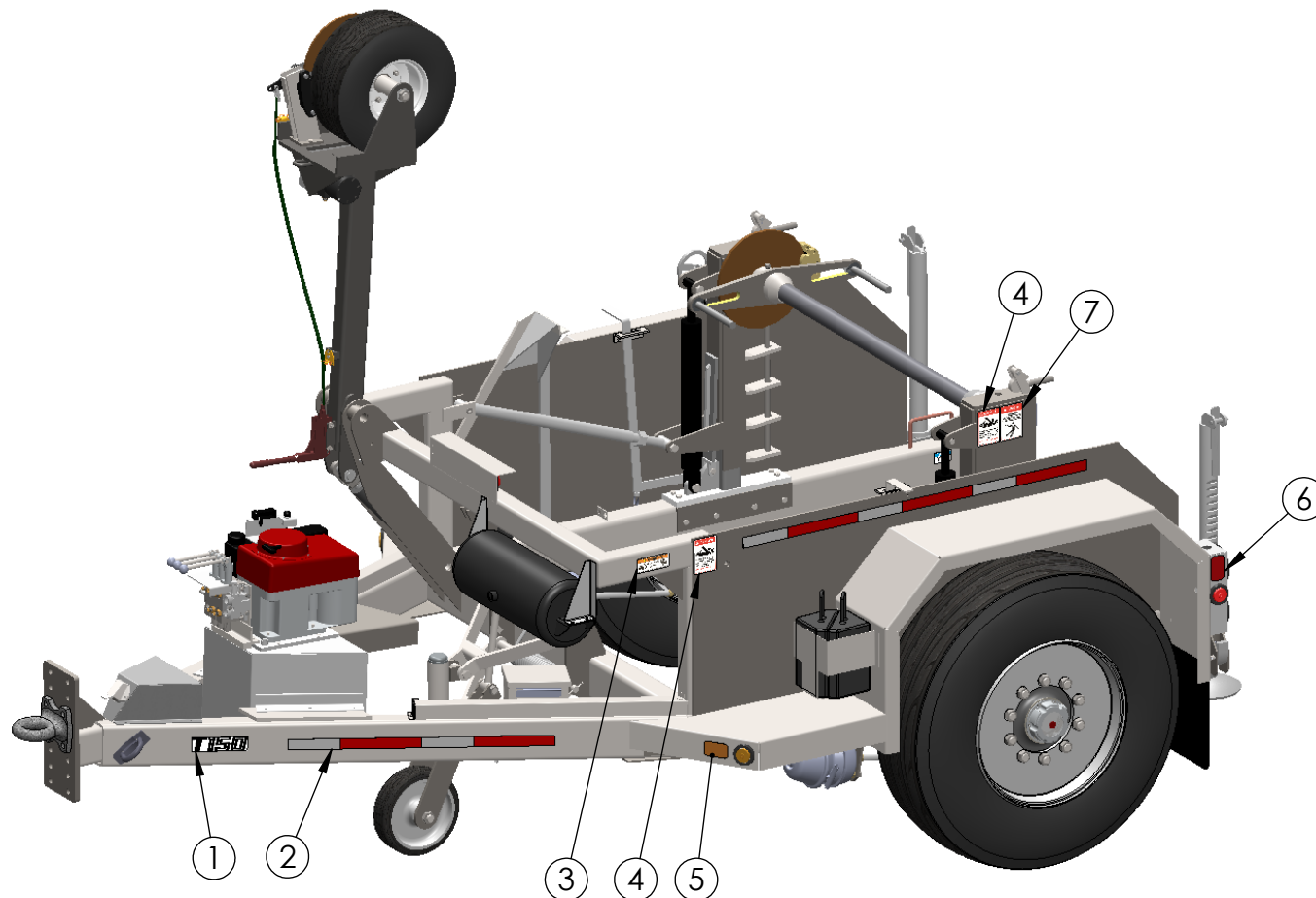
T19001



ITEM NO.	PART NUMBER	DESCRIPTION	QTY.
1	D30042	Decal, Keep Hands Clear	3
2	D30028	Decal, Danger Twisty Man	5
3	D30002	Decal, Loading Instructions	1
4	D30034	Decal, Grounding Lug	3
5	D30036	Decal, Electrocution Hazard	3
6	R09043	Reflector, Red 2x3-1/2	4
7	D30001	HD Logo 6x9	1
8	D30018	Decal, HD 1/2" x 9"	1
9	R09044	Reflector, Amber 2x3-1/2	2
10	D30017	Decal, Danger Fluid Pressure	1
11	D30021	Decal, Untrained Operator	1
12	T19001	Red/White Reflective tape	9
13	D30032	Decal, Check Oil Daily	1
14	D30010	Decal, Hydraulic Fluid Only	1
15	D30043	Decal, T150 Tongue	2



ITEM NO.	PART NUMBER	DESCRIPTION	QTY.
1	D30026	Decal, Danger Stand Clear	2
2	D30034	Decal, Grounding Lug	3
3	R09043	Reflector, Red 2x3-1/2	4



ITEM NO.	PART NUMBER	DESCRIPTION	QTY.
1	D30043	Decal, T150 Tongue	2
2	T19001	Red/White Reflective tape	9
3	D30042	Decal, Keep Hands Clear	3
4	D30028	Decal, Danger Twisty Man	5
5	R09044	Reflector, Amber 2x3-1/2	2
6	R09043	Reflector, Red 2x3-1/2	4
7	D30036	Decal, Electrocution Hazard	3