

OLT 72 B

Parts Manual



HOGG & DAVIS, Inc.

The information, specifications, and illustrations in this manual are on the basis of information available at the time it was written. The specifications, torque values, pressures of operation, measurements, adjustments, illustrations, and other items can change at any time. These changes can affect the service of the given product.

For the complete and most current information, contact:

Hogg & Davis, Inc
P.O. Box 405 / 3800 Eagle Loop
Odell, OR 97044-0405
541-354-1001
541-354-1080 Fax

**For most recent manual
version please visit:**

www.hoggdavis.com

OLT 72 B
Overhead Line Bullwheel Tensioner

Table of Contents

Table of Contents	- 2 -
Product Warnings.....	- 3 -
General Specifications	- 4 -
Operating Instructions.....	- 5 -
Setup on the Job.....	- 6 -
Setup of the unit.....	- 6 -
Position of unit.....	- 6 -
Jack Stands / Outriggers.....	- 6 -
Tie Down/ Brake/ Chock	- 6 -
Load the Bull wheels	- 7 -
Load the Bull wheels (continued).....	- 7 -
TENSIONING PROCEDURE.....	- 7 -
HYDRAULIC REWIND (OPTION).....	- 8 -
LUBRICATION AND MAINTENANCE	- 9 -
Items to be inspected.....	- 9 -
Lubrication Schedule	- 9 -
Drawbar inspection	- 10 -
15-15 Warranty	- 11 -
Parts and other manufacturer manuals.....	- 12 -



"Rugged Dependability."

© COPYRIGHT 2013 HOGG & DAVIS, INC



OLT 72 B Overhead Line Bullwheel Tensioner

Product Warnings

⚠ DANGER

AN UNTRAINED OPERATOR
SUBJECTS HIMSELF AND
OTHERS TO

DEATH OR SERIOUS INJURY

YOU MUST NOT OPERATE
THIS MACHINE UNLESS

- You have been trained in the safe operation of this machine.
- You have read, understand and follow the safety and operating recommendations contained in the machine manufacturer's manuals, your employer's work rules and applicable government regulations.
- You are sure the machine is operating properly and has been inspected and maintained in accordance with the manufacturer's manuals.
- You are sure that all safety signs, guards and other safety features are in place and in proper condition.

© H&D, Inc. 1999

⚠ DANGER



REACHING INTO REEL AREA
OR CONTACTING TURNING
REEL OR MOVING LINE
DURING OPERATION MAY
RESULT IN

DEATH OR SERIOUS INJURY

© H&D, Inc. 1999

⚡ DANGER

ELECTROCUTION HAZARD EXISTS
WHEN PULLING LINE OR
CONDUCTOR IS NEAR ENERGIZED
LINES. MAKE SURE MACHINE IS
PROPERLY GROUNDED AND
OPERATOR IS PROPERLY
PROTECTED.

© H&D, Inc. 1999

⚠ DANGER



JACKSTAND AND OUTRIGGER
CONTACT WILL CAUSE SERIOUS
CRUSHING INJURY.

STAND CLEAR

⚠ WARNING



Escaping fluid under pressure
can penetrate skin causing
serious injury.

Relieve pressure before disconnecting
hydraulic lines. Keep away from leaks
and pin holes. Use a piece of cardboard
or paper to search for leaks. Do
not use your hand.

Fluid injected into skin must be
surgically removed within a few hours
by a doctor familiar with this type
injury or gangrene will result.

© H&D, Inc. 1999

These warning labels and others like it are placed in critical areas of the machine. The warnings are to be read and fully understood prior to operation of the unit.

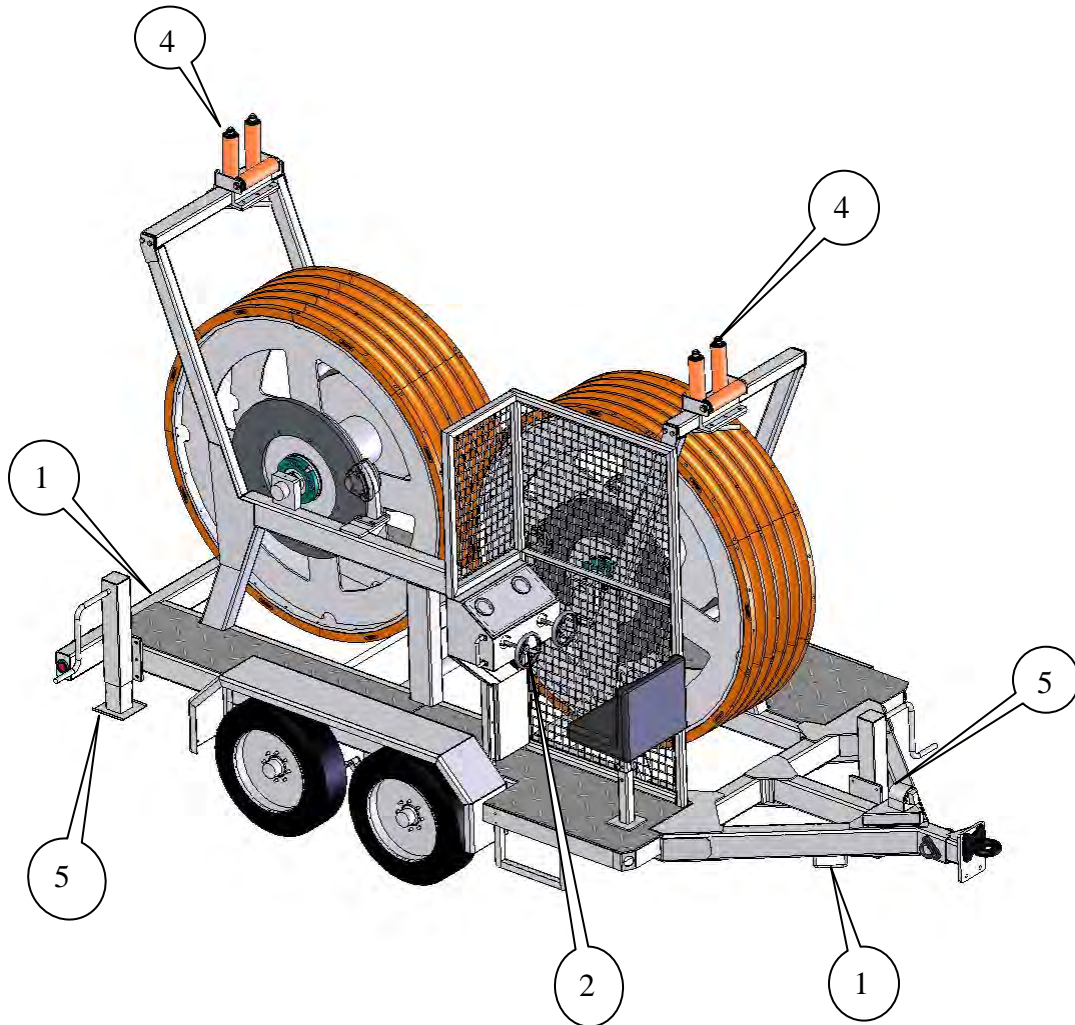
OLT 72 B
Overhead Line Bullwheel Tensioner

General Specifications

This unit is designed to tension overhead cable/conductor at a constant.

- 72 inch 5 Groove Bull wheels
- 2.5" Grooved liners
- Four (4) Stainless Steel Brake Discs
- 15,000 lbs Maximum Tension
- Manual Jack stands (2) Rear – (1) Tongue

OLT 72 B Overhead Line Bullwheel Tensioner



Operating Instructions

All persons operating this machine must read and understand this manual as well as the operating, danger, and warning decals placed on the machine. Failure to read and understand these items subjects the operator and others to **DEATH or SERIOUS INJURY.**

Operators shall make themselves familiar with the placement of the following operating and safety features of the machine.

OLT 72 B Overhead Line Bullwheel Tensioner

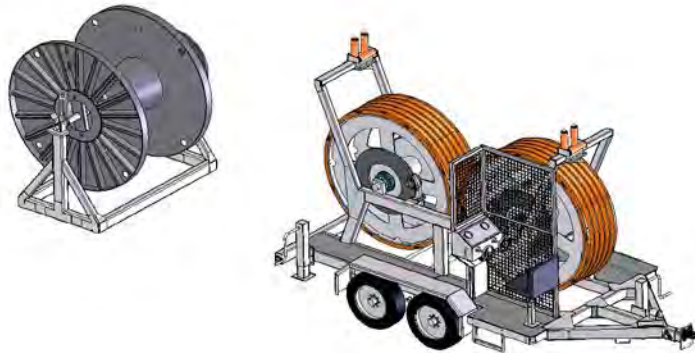
1. Grounding Lugs and their placement on Machine
2. Bull wheel Pressure / Tension Control
3. Engine Controls (optional)
4. Lead in / Lead out Fairlead
5. Manual Jack stands (standard)
6. Hydraulic Jack stands (optional)

Setup on the Job

Setup of the unit

Position of unit

Position the trailer with the centerline of the trailers inline with the pull. Place the unit at a minimum of two times the height of the first block.



Jack Stands / Outriggers

Actuate the rear outriggers to stabilize the trailer. Attempt to level the trailer as much as possible. The outriggers have the ability to raise the tires from the ground, but as a rule they should be used to stabilize the load across all contact points on the ground, i.e. Jack stands, tires, front tongue jack stand.

Tie Down/ Brake/ Chock

Chock all wheels and set brakes (if applicable). It should be noted that a fully loaded trailer may exceed the tension desired during the pull. As the pull progresses, the weight of the trailer decreases, therefore proper securing procedures should be followed during operation. This unit is equipped with tie –



"Rugged Dependability."

© COPYRIGHT 2013 HOGG & DAVIS, INC



OLT 72 B Overhead Line Bullwheel Tensioner

down eyes for staking to the ground and it is recommended that the unit stay secured to the tow vehicle whenever possible.

Load the Bull wheels

Reeve conductor through the captive fairlead assembly and under and around the first groove in the lower Bull wheel. The conductor will be reeved around the entire Bull wheel assemblies and exits towards the first block off the upper Bull wheel groove.

It is less difficult if rope were to be reeved through the bull wheels instead of conductor. Placed the pulling rope in the bull wheels and slowly allow the rope to be pulled, thus reeving the conductor under power. When loading the bull wheels in this manner SLOW is the maximum speed.

TENSIONING PROCEDURE

Adjust reel brake to provide tail tension to conductor.

***PROPER ADJUSTMENT OF TAIL TENSION IS A CRITICAL PART OF THE CONDUCTOR TENSIONING PROCESS.** Too much tension can cause under wraps in the conductor reel and too little tension can produce slippage of the conductor across the Bull wheels and possible "groove hopping" during the pull.

Refer to the performance chart for proper hydraulic pressure as it directly relates to conductor tension. ***This chart is located on the control panel of the unit.***

OLT 72 B
Overhead Line Bullwheel Tensioner

Turn in Bull wheel actuator to approx 50 lbs above desired tension. As pull begins, turn actuator out slowly until Bull wheels begin to payout. As pull progresses, it may be necessary to adjust Bull wheel tension as needed. Also during the pull process it will be necessary to adjust reel payout tension as the reel empties.

As pull comes to an end, increase Bull wheel pressure to hold conductor at desired sag. *Safety off the conductor to the rear of trailer or other stationary device before leaving unit.*

BULLWHEEL BRAKES ARE NOT A PROPER HOLDING DEVICE.

IF MACHINE IS TO BE USED FOR FIBRE OPTIC INSTALLATION, REFER TO THE CABLE MANUFACTURER FOR PROPER TENSIONING TECHNIQUES. FAILURE TO CONSULT MANUFACTURER MAY DAMAGE CABLE AND VOID WARRANTY.

OLT 72 B

Overhead Line Bullwheel Tensioner

LUBRICATION AND MAINTENANCE

This unit has no set PM schedule beyond that of the engine manufacturers suggested maintenance schedule. This unit should be visually inspected prior to each use while repairing any and all discrepancies prior to use.

Items to be inspected prior to use are:

- Pintle eye (excessive wear)
- Safety Chains (wear / damage)
- All welds and seams
- Loose or missing fasteners (bolts, nuts, set screws)
- Loose or leaking hydraulic hoses
- Damages or worn hydraulic hoses
- Brake calipers (loose fittings, hoses, worn linings)
- Brake Pads
- Urethane Bull wheel linings
- Brake rotors
- Tires and trailer brakes
- Engine and hydraulic system fluid levels.

Lubrication Schedule

- Bull wheel Bearings (daily before each use)
- Axle Bearings (as needed)
- Engine oil as per manufacturers recommendation



"Rugged Dependability."

© COPYRIGHT 2013 HOGG & DAVIS, INC



OLT 72 B **Overhead Line Bullwheel Tensioner**

Drawbar inspection

- Regularly inspect the drawbar for wear and damage. If wear exceeds 1/8", replace the drawbar eye.
- Check all drawbar mounting fasteners for proper torque.
- Do not modify or add to the product.
- Do not cut or weld on this product without written permission from the factory.
- Be sure the drawbar size is compatible with the coupling device on the tow vehicle.
- Do not damage the coupling components. Be particularly careful during coupling and uncoupling.
- Inspect the coupling device on the tow vehicle for proper locking prior to use.
- Consult OSHA and DOT regulations and American Trucking Association guidelines for complete operating procedures.

OLT 72 B
Overhead Line Bullwheel Tensioner

15-15 Warranty

Hogg and Davis, Inc. warrants its trailers against defects in material or workmanship for period of 15 months from the date of shipment from Hogg and Davis, Inc. (see General Conditions & Exceptions). Hogg and Davis, Inc. will replace, free of charge, F.O.B. Hogg and Davis, Inc. factory, such parts or parts thereof, that in their judgement have proven defective. Additionally, Hogg and Davis, Inc. will pay reasonable and customary labor charges when defective part is replaced, installed or repaired by a fully authorized Hogg and Davis, Inc. trailer dealer at his facility.

Warranty credit will be issued only upon receipt and inspection of defective parts of at the Hogg and Davis, Inc. factory.

Hogg and Davis, Inc. warrants its trailer main frame assemblies (except pintle eyes or other towing attachments, spindles and axles) against defects in material or workmanship for a period of **15 years** from the date of shipment from Hogg and Davis, Inc. (see General Conditions & Exceptions). Hogg and Davis, Inc. shall replace or repair, in a manner as it shall determine, free of charge, F.O.B. factory, any parts or parts thereof, that in its judgement have proven defective. Additionally, Hogg and Davis, Inc. will pay reasonable and customary labor charges when defective part is replaced, installed or repaired by a fully authorized Hogg and Davis, Inc. trailer dealer at his facility

General Conditions & Exceptions

All warranties, options and representations made herein shall apply only provide such equipment shall not have been subject to misuse, negligence or accident and has been operated in accordance with factory approved procedures. This warranty does not obligate Hogg and Davis, Inc. or its authorized dealers to bear the cost of parts obtained from or labor performed by unauthorized sources. Nor does it obligate Hogg and Davis, Inc. **or its** authorized dealers to bear the cost of transportation of parts or equipment for repair or **replacement purposes**. This warranty is in lieu of any other warranty, expressed **or implied**, or any other obligation or liability on the part of Hogg and Davis, Inc and no persons or entity is authorized to make any representation beyond those stated herein.

Hogg and Davis, Inc. shall not be held liable for consequential damage of any kind. Hogg and Davis, Inc. also reserves the right to make changes and improvements in its products without incurring any obligation to install any such changes or improvements upon its products previously manufactured.

The above warranty shall not be misconstrued to mean warranty of tires, clutch, transmission assemblies or customer requested accessory equipment other than the warranty extended by their respective manufactures to Hogg and Davis, Inc. In addition, friction, drive rollers are warranted only to extent of bonding failure. All warranties, options and representations made herein are applicable to the original end-user of the product and are not sellable or transferable in any manner.



"Rugged Dependability."

© COPYRIGHT 2013 HOGG & DAVIS, INC



OLT 72 B
Overhead Line Bullwheel Tensioner

Parts and other manufacturer manuals

The Following drawings are for part identification only. Please reference the unit V.I.N. number and the corresponding part number when ordering.

The information, specifications, and illustrations in this manual are on the basis of information available at the time it was written. The specifications, torque values, pressures of operation, measurements, adjustments, illustrations, and other items can change at any time. These changes can affect the service of the given product.

For the complete and most current information, contact:

Hogg & Davis, Inc
P.O. Box 405 / 3800 Eagle Loop
Odell, OR 97044-0405
541-354-1001
541-354-1080 Fax
www.hoggdavis.com

Parts Manual



The information, specifications, and illustrations in this manual are on the basis of information available at the time it was written. The specifications, torque values, pressures of operation, measurements, adjustments, illustrations, and other items can change at any time. These changes can affect the service of the given product.

For the complete and most current information, contact:

Hogg & Davis, Inc
P.O. Box 405 / 3800 Eagle Loop
Odell, OR 97044-0405
541-354-1001
541-354-1080 Fax

For most recent manual
version please visit:
www.hoggdavis.com



"Rugged Dependability."

© COPYRIGHT 2016 HOGG & DAVIS, INC



ver. 1.0

Table of Contents

<i>Isometric View</i>	1
<i>Curbside View</i>	2
<i>Rear View</i>	3
<i>Bullwheel</i>	4
<i>HD Brake Assembly (Old Style)</i>	5
<i>HD Brake Assembly (New Style)</i>	6
<i>Fairlead Assembly</i>	7
<i>Operator Seat</i>	8
<i>Operator Controls</i>	9
<i>HD Brake Cylinder</i>	10
<i>Electrical Hood</i>	11
<i>LED Trailer Lighting</i>	12
<i>Standard Trailer Lighting</i>	13
<i>Brake Bleeding Instructions</i>	14
<i>Wheel Torque Requirements</i>	15
<i>Decal/ Decal Locations</i>	17

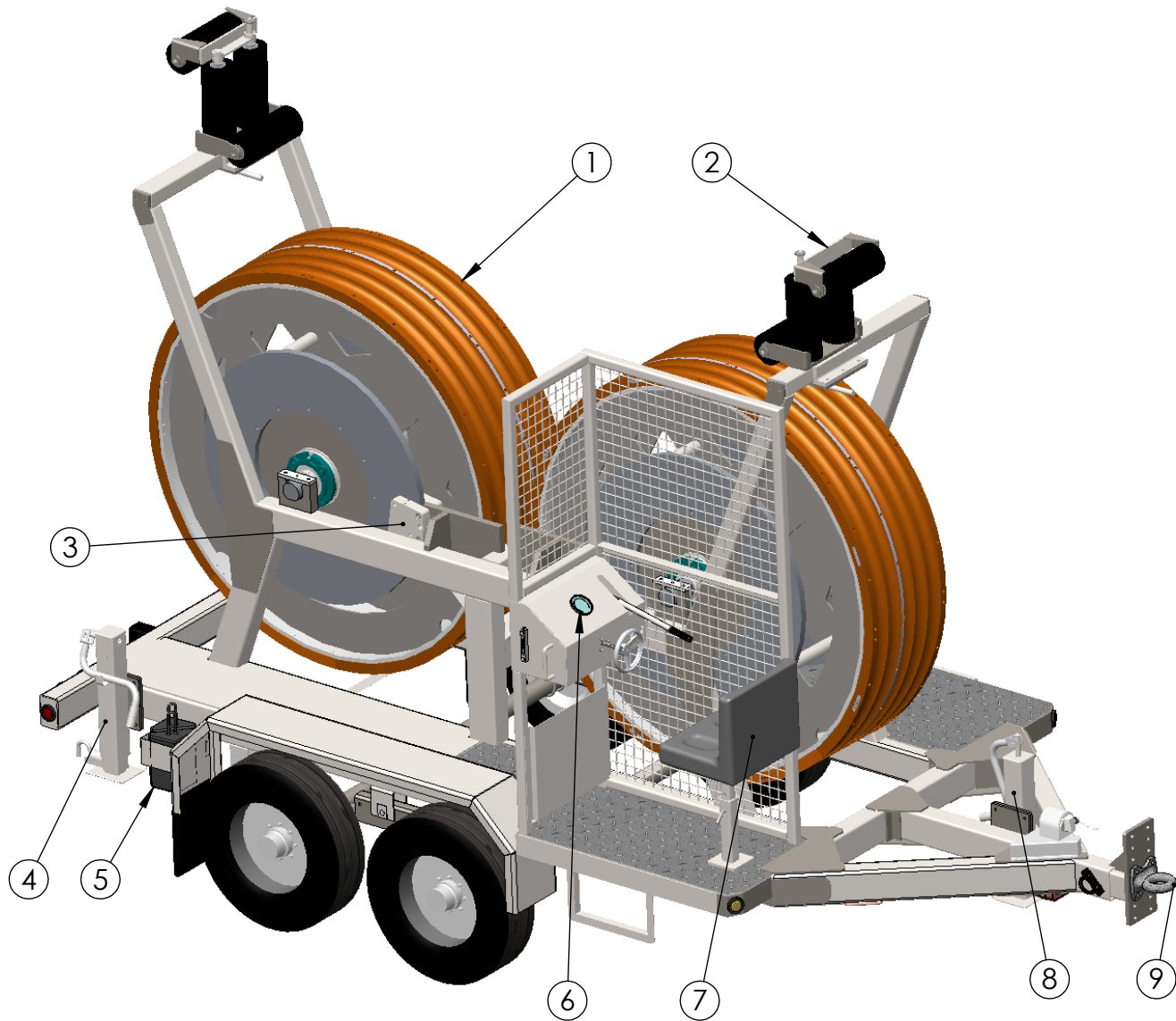
If items look different from the parts breakdown please call for assistance. (541)354-1001



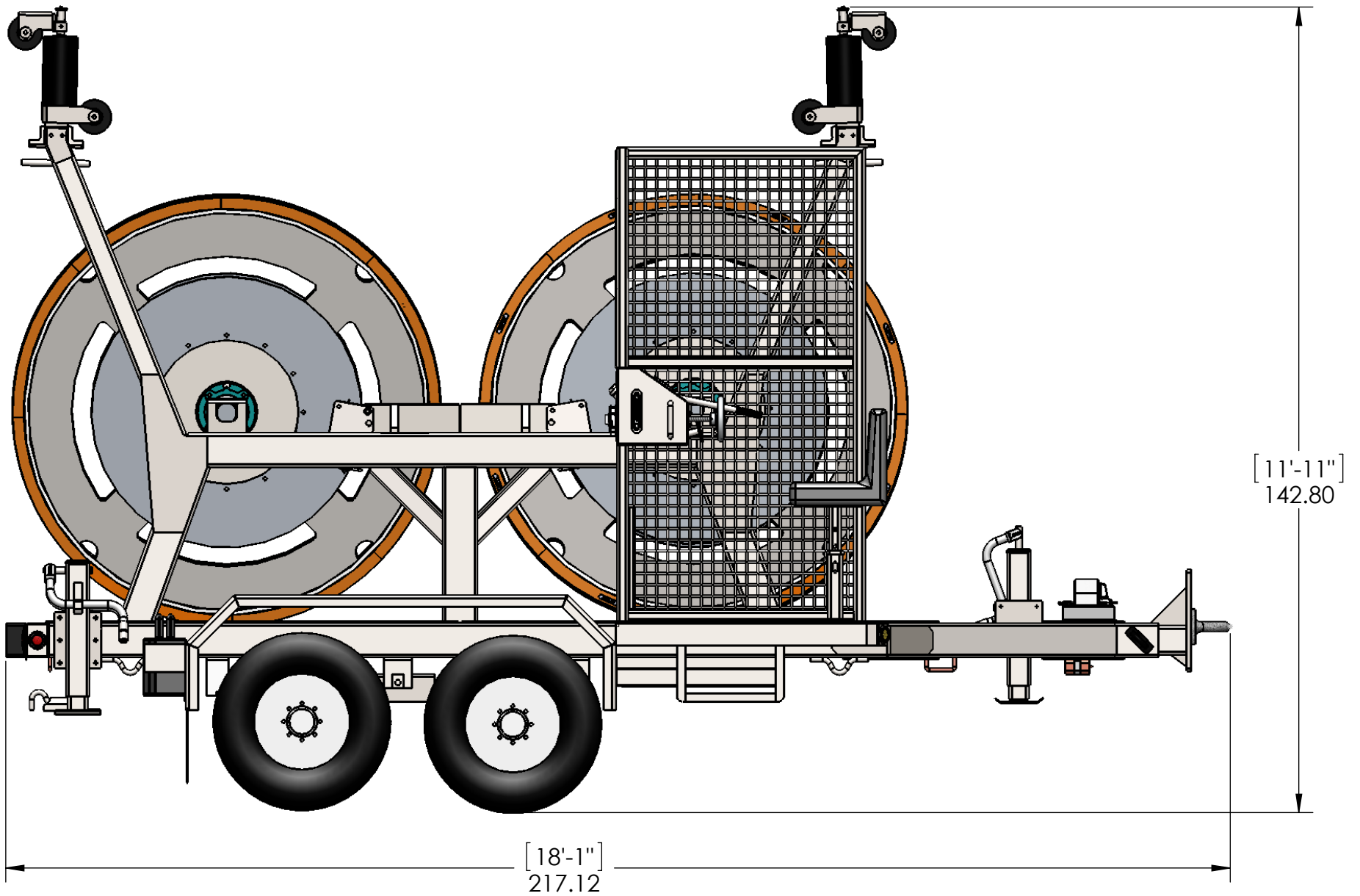
"Rugged Dependability."

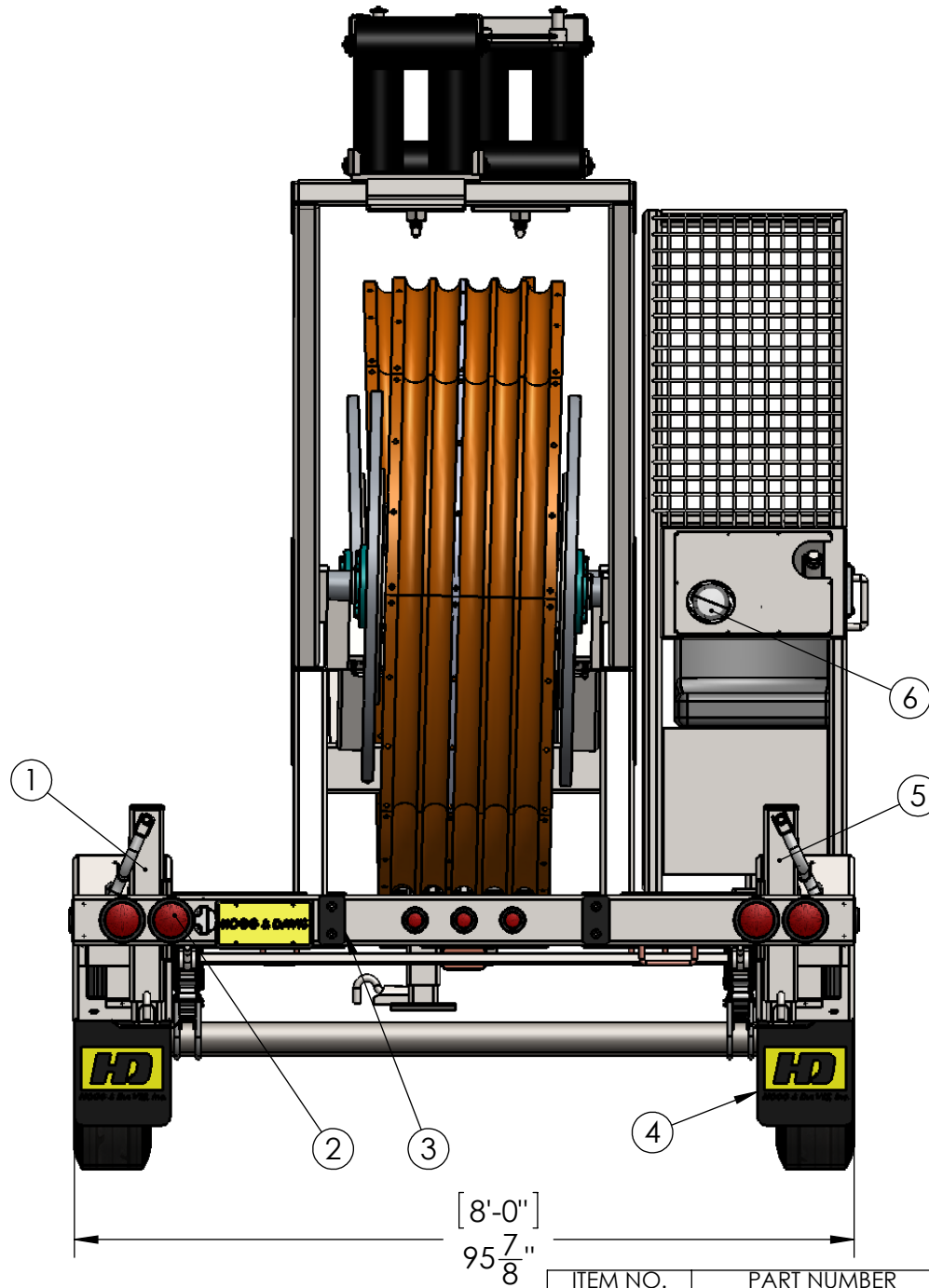
© COPYRIGHT 2016 HOGG & DAVIS, INC



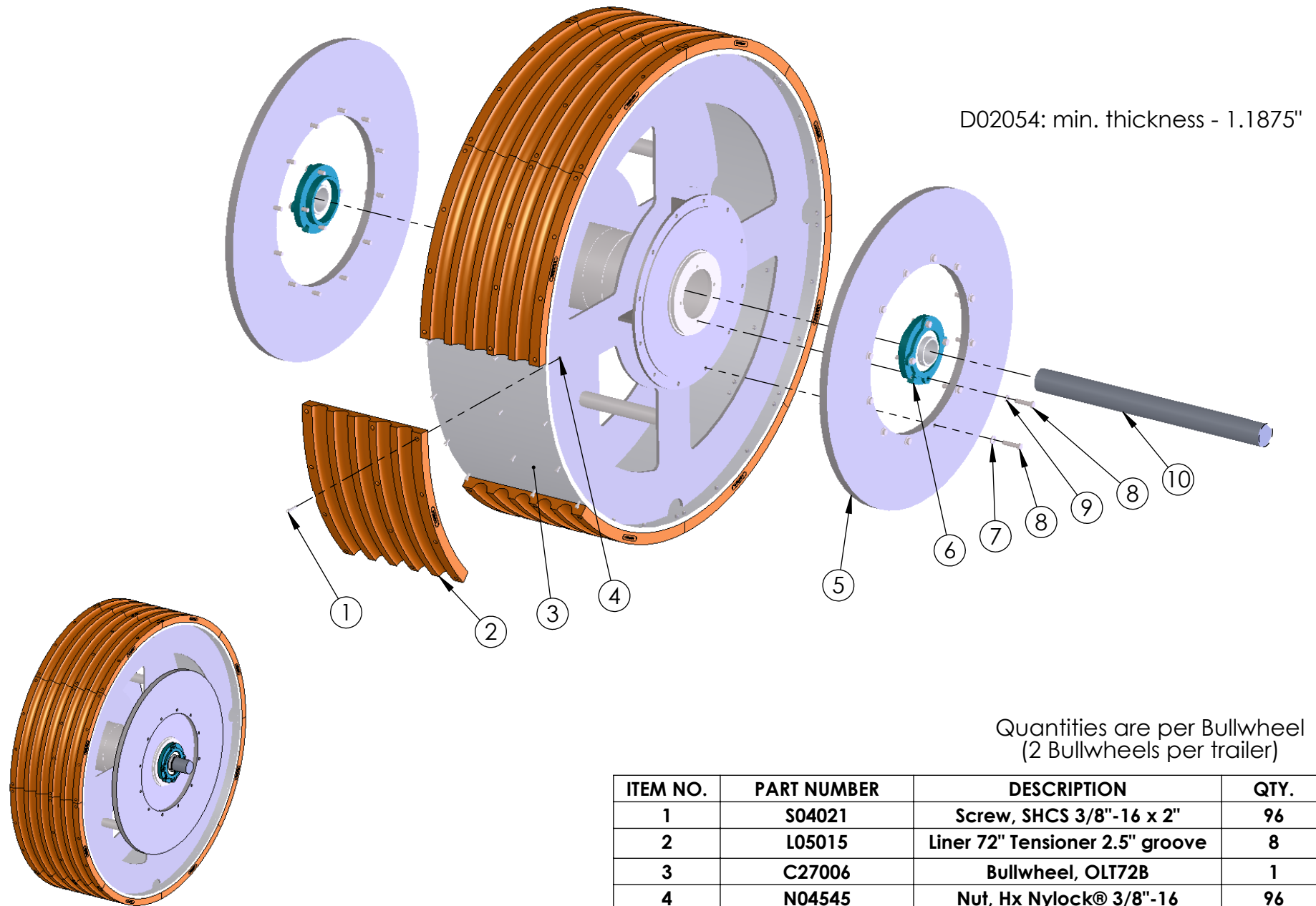


ITEM NO.	PART NUMBER	DESCRIPTION	QTY.
1	Bullwheel Assembly	See Bullwheel Sheet	2
2	Fairlead Assembly	See Fairlead Sheet	2
3	C04030A	10" HD Brake Caliper w/ spacer	4
4	J04051	Curb-Side Jack Assy.	1
5	C12005	Wheel Chock	4
6	Controls	See Controls Sheet	1
7	Seat Assembly	See Seat Assembly Sheet	1
8	J04053	Front Jack OLT 72	1
9	E04017	Eye, Pintle	1



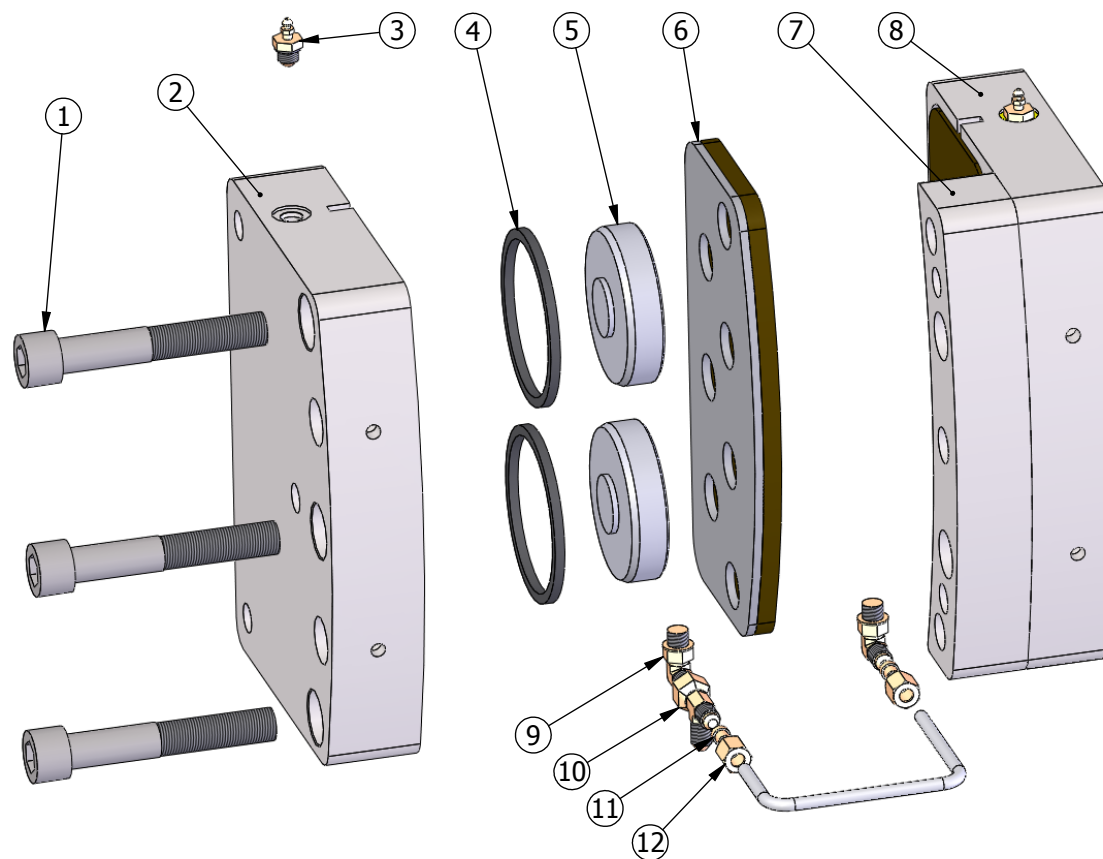


ITEM NO.	PART NUMBER	DESCRIPTION	QTY.
1	J04052	Street-Side Jack Assy.	1
2	Lighting	See Lighting Sheet	1
3	B20002	3X6 Bumper	2
4	f10010	Mud Flap	2
5	J04051	Curb-Side Jack Assy.	1
6	HT0020	Registration Holder	1



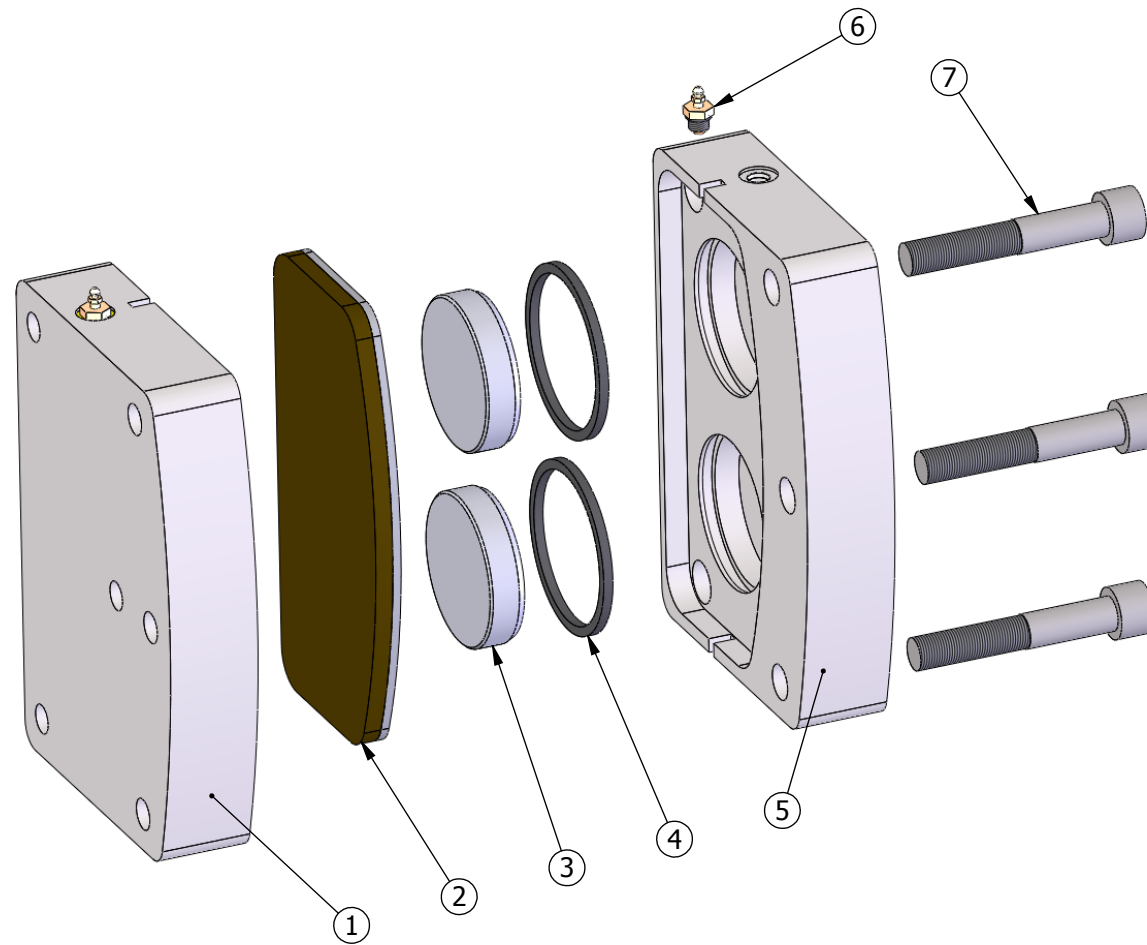
Quantities are per Bullwheel
(2 Bullwheels per trailer)

ITEM NO.	PART NUMBER	DESCRIPTION	QTY.
1	S04021	Screw, SHCS 3/8"-16 x 2"	96
2	L05015	Liner 72" Tensioner 2.5" groove	8
3	C27006	Bullwheel, OLT72B	1
4	N04545	Nut, Hx Nylock® 3/8"-16	96
5	D02054	Disc, Brake	2
6	B07008	Bearing, Piloted Flange	2
7	W01053	Washer, Flat SAE 5/8"zinc	24
8	B11477	Bolt, Hx Head 5/8"-11 x 2-3/4" Z8	32
9	W01040	Washer, Split Lock 5/8"zinc	8
10	S43997	Shaft	1



QUANTITIES ARE PER ASSEMBLY (4) PER TRAILER

ITEM NO.	PART NUMBER	DESCRIPTION	QTY.
1	S04251	3/4-16 x 4-1/2 SHCS	3
2	C04035	Caliper Half, Countersink	1
3	B18005	Bleeder, -4 o-ring	2
4	O01225	O-Ring, Piston	4
5	P08004	3-3/8" Piston	4
6	P01011	10" HD Brake Pad	2
7	S24017	Spacer, 10" HD Caliper	1
8	C04036	Caliper Half, Threaded	1
9	F05725	4 JIC to -4 SAE	2
10	F05067	-4 Swivel Nut Run T	1
11	F05113	Fitting, Sleeve -4	2
12	F05300	Fitting, -4 nut	2

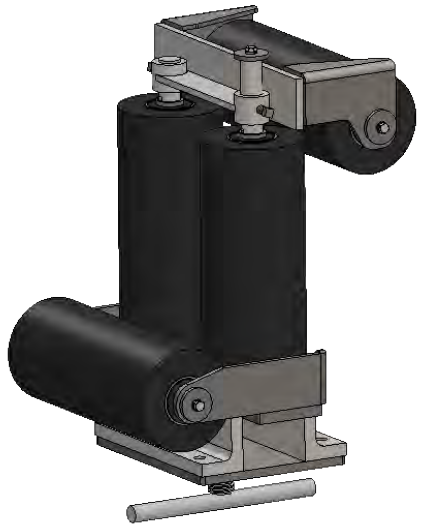
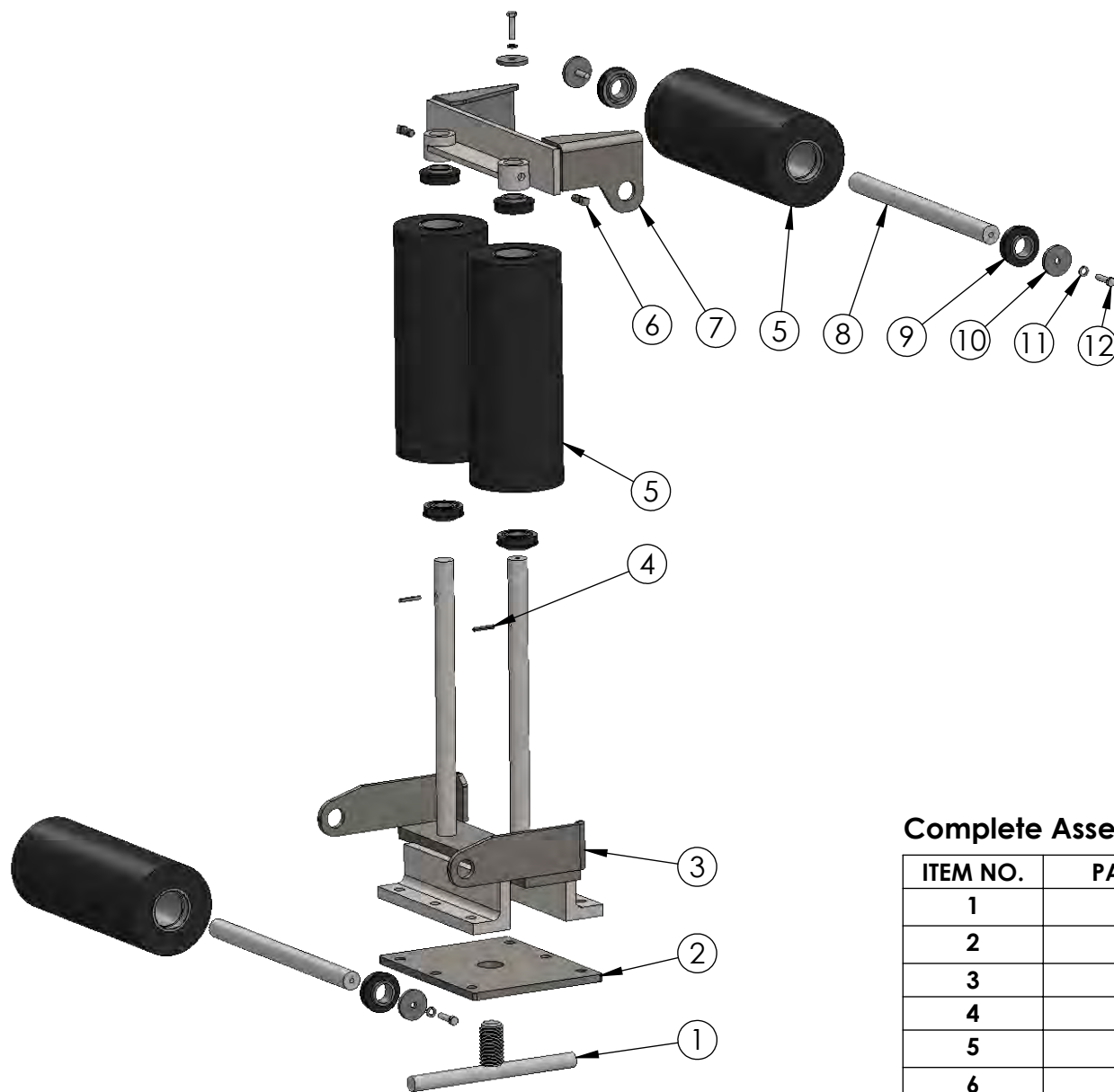


**C04032A-- Complete Assembly
(Contains all Parts
Listed Below)**

ITEM NO.	PART NUMBER	DESCRIPTION	QTY.
1	C04039	Caliper Half, Threaded	1
2	P01011	10" HD Brake Pad	2
3	P08004	3-3/8" Piston	4
4	O01225	O-Ring, Piston	4
5	C04040	Caliper Half, Countersink	1
6	B18005	Bleader, -4 o-ring	2
7	S04251	3/4-16 x 4-1/2 SHCS	3

**10" HD Brake Calipers
(Current Style)**



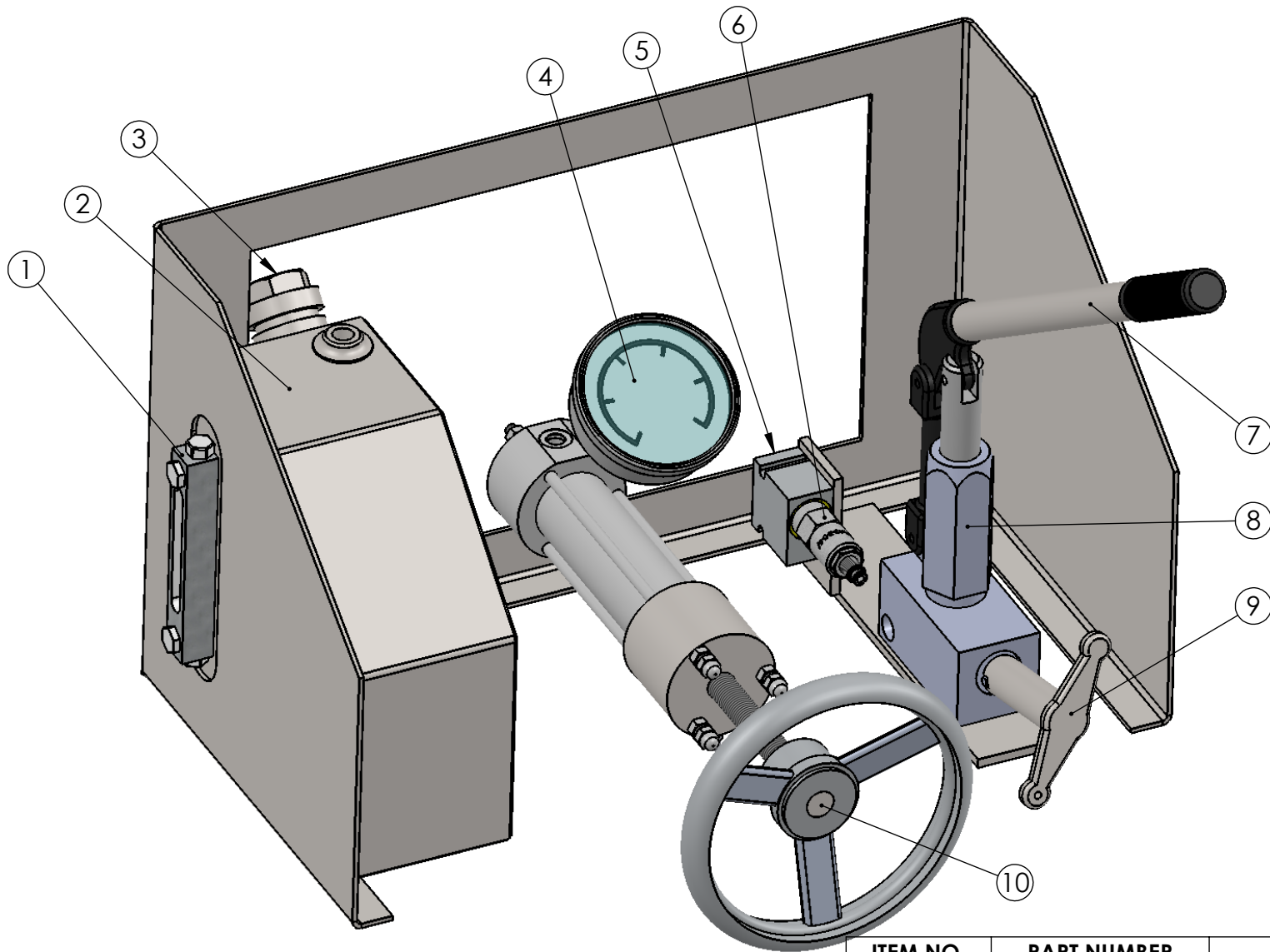


Complete Assembly Part#F09104A

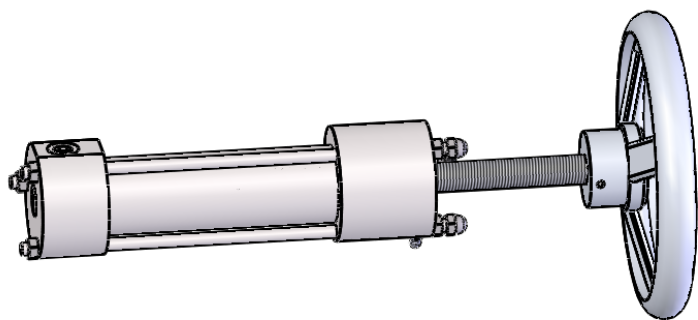
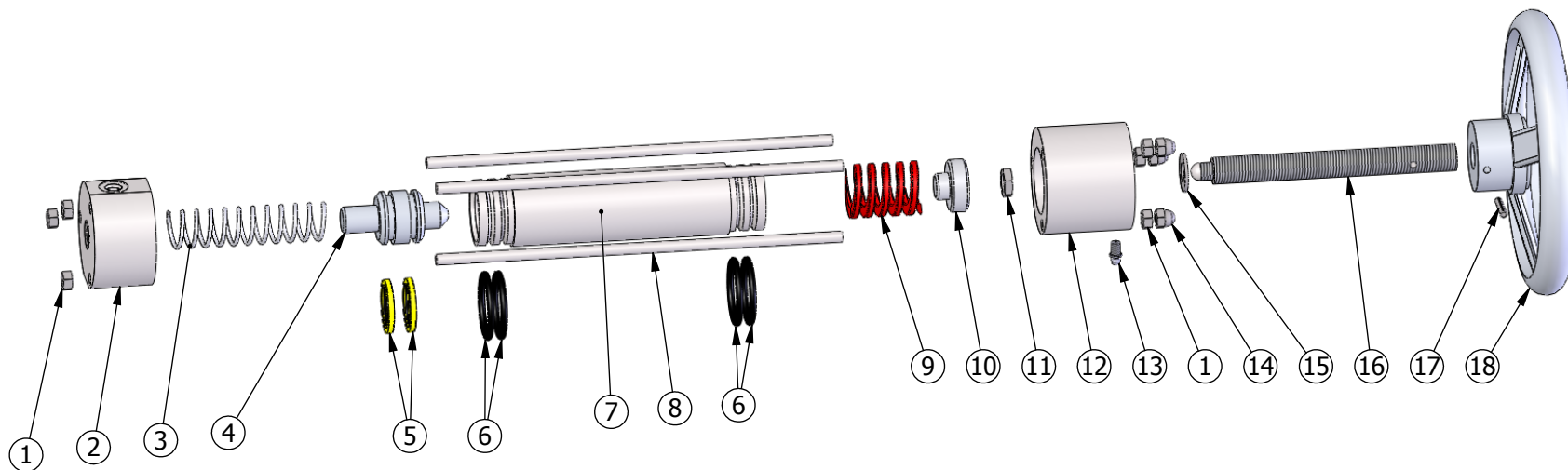
ITEM NO.	PART NUMBER	DESCRIPTION	QTY.
1	L08045	Fairlead Clamp Handle	1
2	P09089	Fairlead Clamp Plate	1
3	F09104	Frame, Fairlead	1
4	P06185	Pin, Roll 1/4" x 1-1/2"	2
5	R20026	Roller, 6" Dia. Neoprene	4
6	S04475	Screw, Set Sq Head 1/2" x 1"	2
7	B15904	Bracket, Top Fairlead	1
8	S43131	Shaft, Roller	2
9	B07110	Bearing, Roller	8
10	C06041	Cap, End	5
11	W01545	Washer, Split Lock 3/8"zinc	5
12	B11344	Bolt, Hx Head 3/8"-16 x 1-1/2"	5



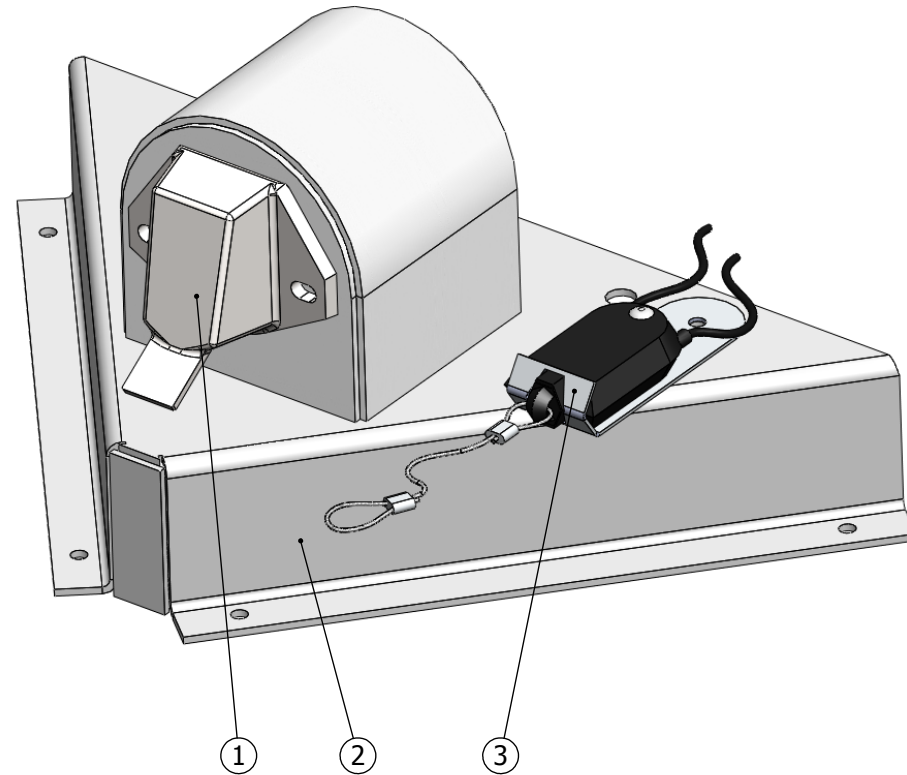
ITEM NO.	PART NUMBER	DESCRIPTION	QTY.
1	S03040	Seat, Operator JD	1
2	P14051	Post, Seat Mount	1
3	P06999	Pin, Bent Hitch 5/8 x 3"	1



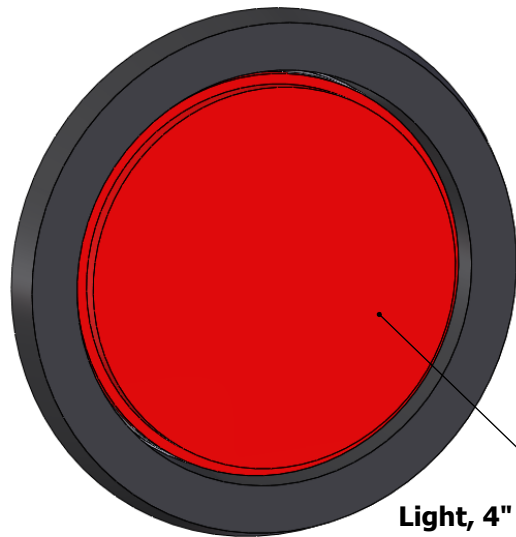
ITEM NO.	PART NUMBER	DESCRIPTION	QTY.
1	G02046	Gauge, Hyd oil level	1
2	T01010	Tank OLT Control	1
3	F05212	Plug, 1"	1
4	G02012	Gauge 4" 1000 psi OLT	1
5	M04051	Manifold, Aluminum	1
6	V02077	Valve, Vickers Relief RV1-9	1
7	H02026	Handle, Hyd Pump	1
8	P20016	Hydraulic Pump, Manual	1
9	H02030	Handle, Hyp Pump Release	1
10	C32004	Brake Cylinder	1



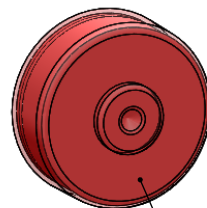
ITEM NO.	PART NUMBER	DESCRIPTION	QTY.
1	N04107	Nut Hex 5/16"-18	6
2	C06009	Bar round 3" 1018	1
3	S28022	Return Spring	1
4	P08017	Piston, Aluminum two groove	1
5	O01061	Seal	2
6	O01060	O-Ring	4
7	H08003	Cylinder Tube	1
8	R19007	Bar round 5/16" 1018	3
9	S28021	Spring	1
10	P08016	2" Aluminum RB	1
11	N04039	Nut Hex Jam 1/2-20	1
12	C06012	Bar round 3" 1018	1
13	F05630	Fitting, 1/4"-28 Zerk	1
14	N04103	Nut Hex 5/16"-18 Acorn	3
15	W01005	Washer, Flat SAE 1/2"	1
16	S04006-001	Bar 3/4"-8 acme thread	1
17	P06186	Pin, Roll 3/16" x 1"	1
18	H02060	Handle, 8" Dia.	1



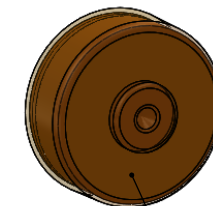
ITEM NO.	PART NUMBER	DESCRIPTION	QTY.
1	S21035	Socket 7-wire Pollak	1
2	H05036	Electrical Hood	1
3	S40003	Switch, Breakaway	1



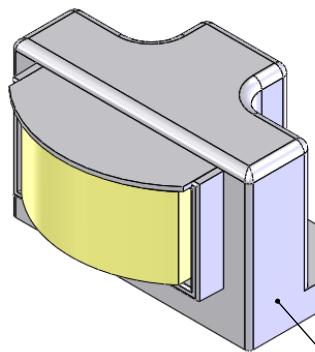
L04032
Light, 4" Tail/Stop/Turn Kit LED



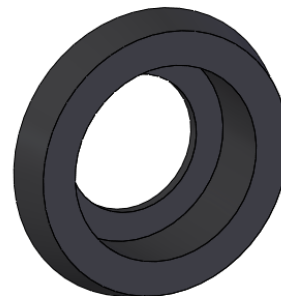
L04310
Light Red 2" LED



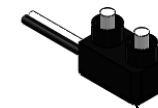
L04311
Light Amber 2" LED



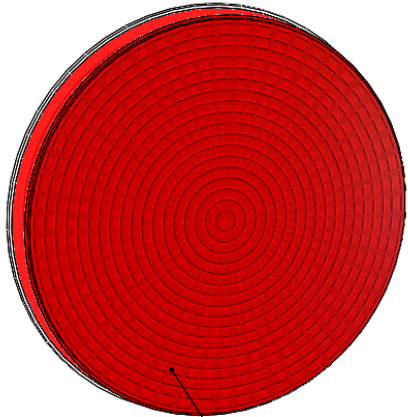
L04055
Light, License plate



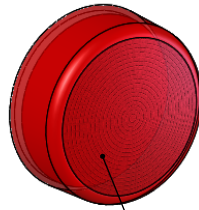
G08005
Grommet 2" Light



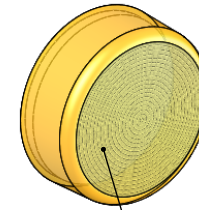
P05025
Pigtail 2 wire



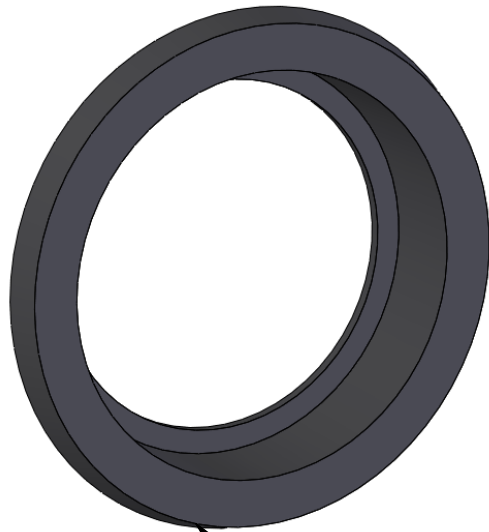
L04030
Light, 4" Tail Stop Turn



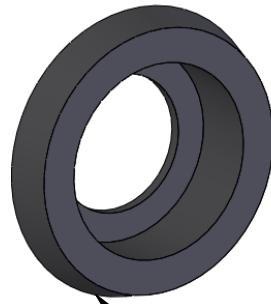
L04070
Light, 2" Red



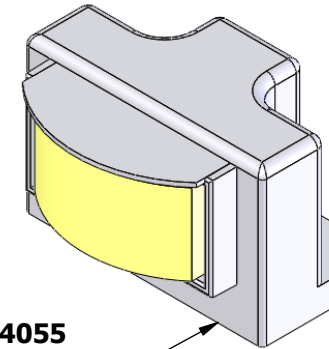
L04035
Light, 2" Amber



G08010
Grommet, 4" Tail/Stop/Turn



G08005
Grommet 2" Light



L04055
Light, License plate

Step 4: crack fitting to let any trapped air out
not all systems may have a gauge

Step 3: crack bleeder and
pump oil through system until
no more air comes out of caliper

Step 5: pump system up to @ 500psi and look for
leaks. When finished, let the pressure in the system
reach zero, then disconnect oil supply.

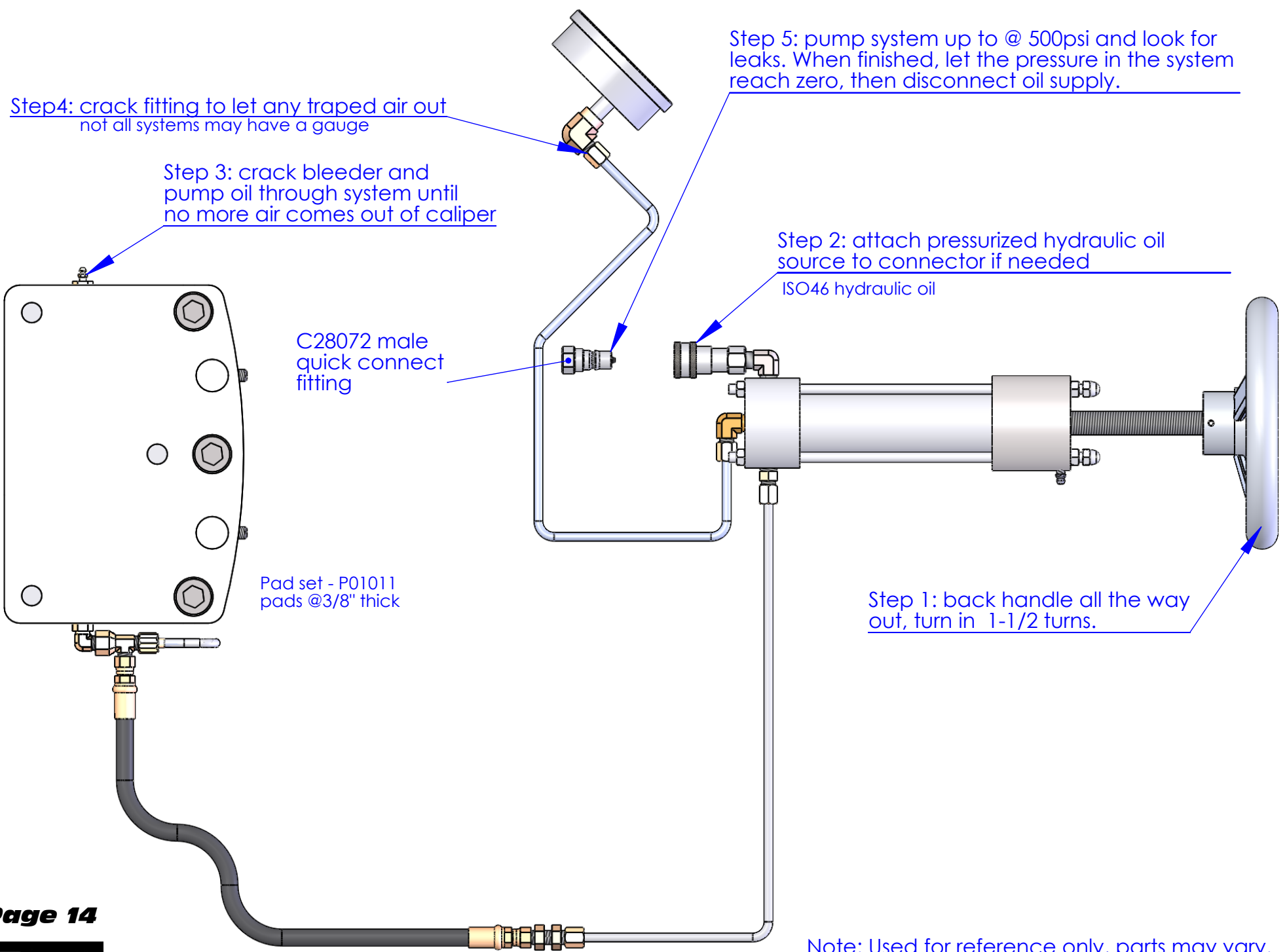
Step 2: attach pressurized hydraulic oil
source to connector if needed

ISO46 hydraulic oil

Step 1: back handle all the way
out, turn in 1-1/2 turns.

C28072 male
quick connect
fitting

Pad set - P01011
pads @3/8" thick

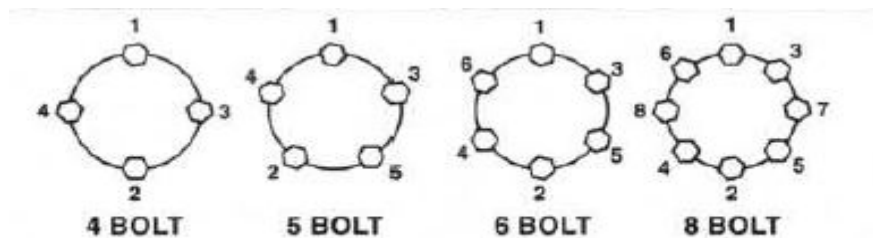


Wheel Torque Requirements

Be sure to use only the fasteners matched to the cone angle of your wheel (usually 60° or 90°). The proper procedure for attaching your wheels is as follows:

1. Start all bolts or nuts by hand to prevent cross threading.
2. Tighten bolts or nuts in the sequence shown for wheel torque requirements.
3. The tightening of the fasteners should be done in stages. Following the recommended sequence, tighten fasteners as shown in the chart below.
4. Wheel nuts/bolts should be torqued before first road use and after each wheel removal. Check and re-torque after the first 10 miles, 25 miles and again at 50 miles. Check periodically thereafter.

Wheel Size	1st Stage	2nd Stage	3rd Stage
12"	20-25	35-40	50-75
13"	20-25	35-40	50-75
14"	20-25	50-60	90-120
15"	20-25	50-60	90-120
16"	20-25	50-60	90-120
16.5" x 6.75"	20-25	50-60	90-120
16.5" x 9.75"	55-60	120-125	175-225
14.5" Demount	Tighten Sequentially to		85-95
17.5" Hub Pilot Clamp Ring & Cone Nuts	50-60	100-120	190-210
17.5" Hub Pilot 5/8" Flange Nuts	50-60	90-200	275-325



Maximum Wheel Fastener Torque

The wheel mounting studs used on Dexter Axles conforms to the SAE standards for grade 8. The maximum torque level that can be safely applied to these studs is listed in the following chart:

Stud Size	Max. Torque
1/2"-20 UNF, class 2A	120 lb ft.
9/16"-18, class 2A	170 lb ft.
5/8"-18, class 2A	325 lb ft.

CAUTION!

Exceeding the above listed torque limits can damage studs and/or nuts and lead to eventual fractures and dangerous wheel separation.



D30001
(1)



D30010
(2)



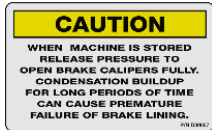
D30015
(4)



D30034
(3)



D30042
(10)



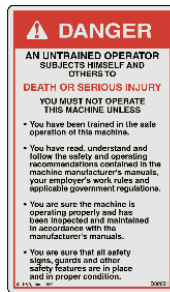
D30067
(3)



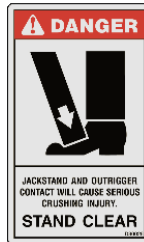
D30095
(2)



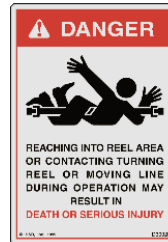
D30017
(1)



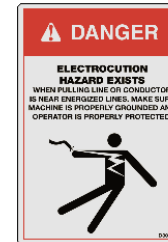
D30021
(1)



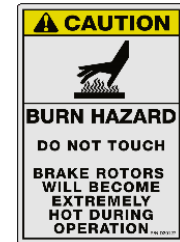
D30026
(3)



D30028
(4)



D30036
(4)



D30127
(1)



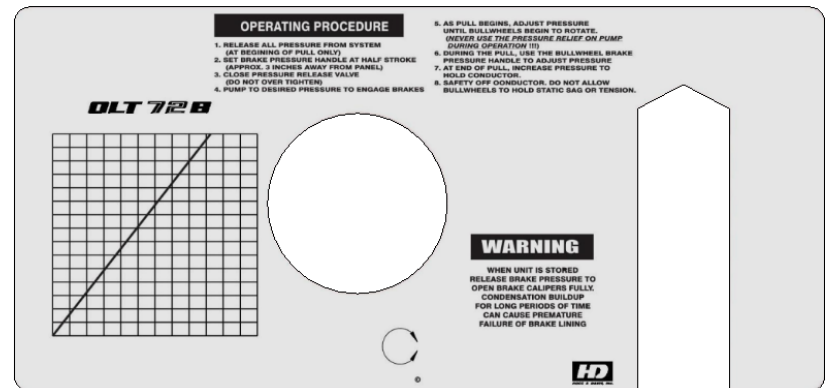
T19001
(8)



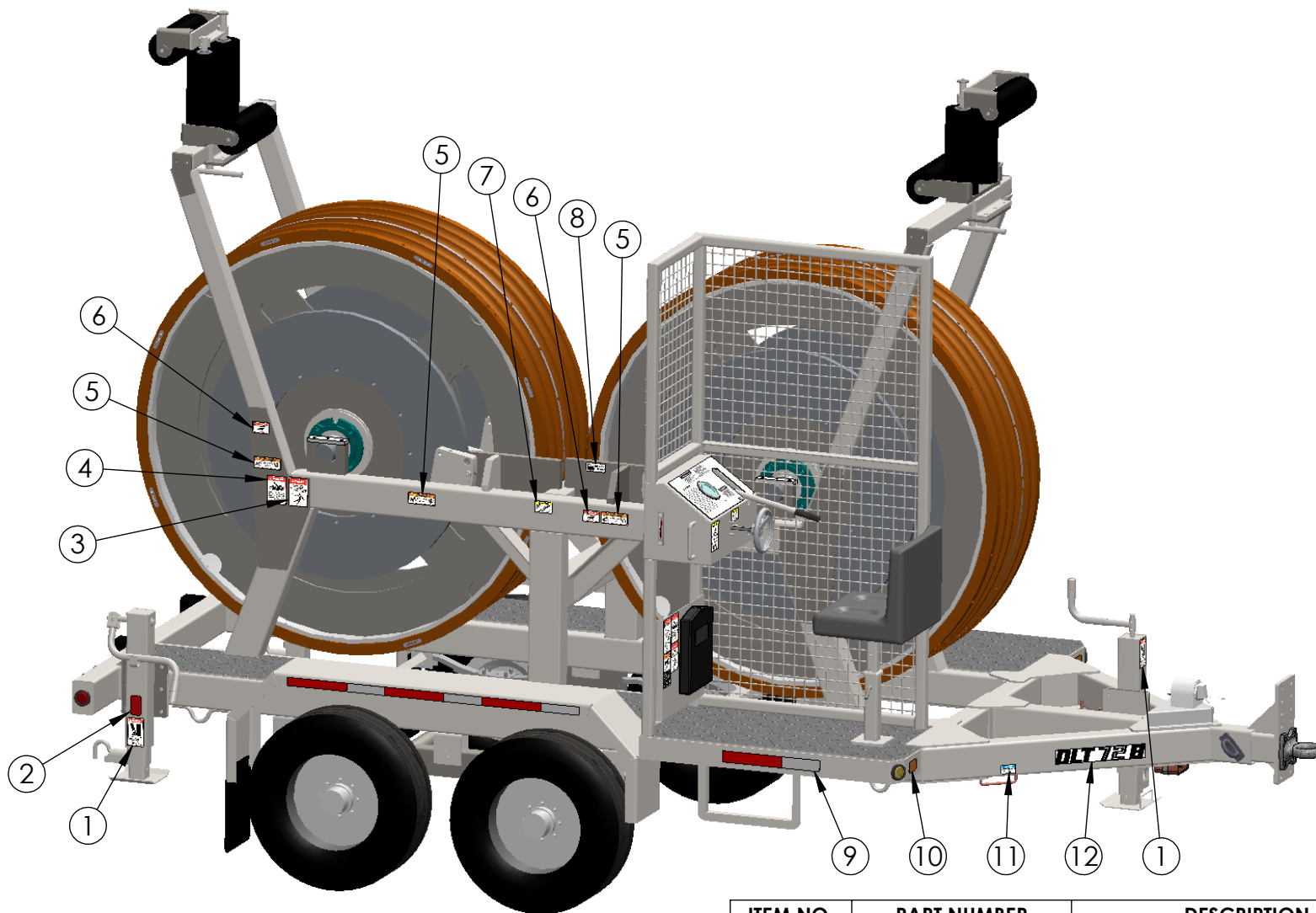
R09043
(4)



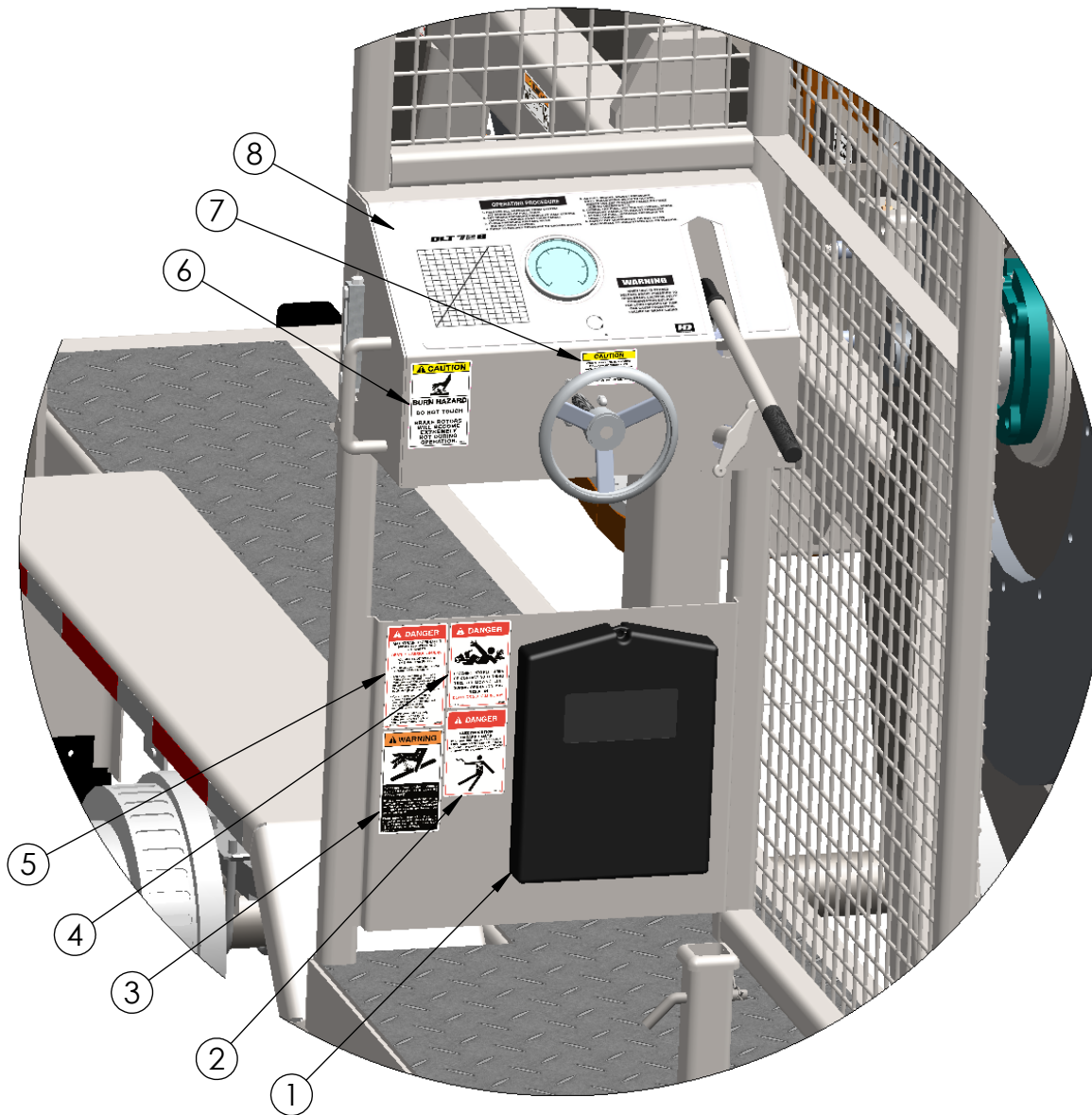
R09044
(2)



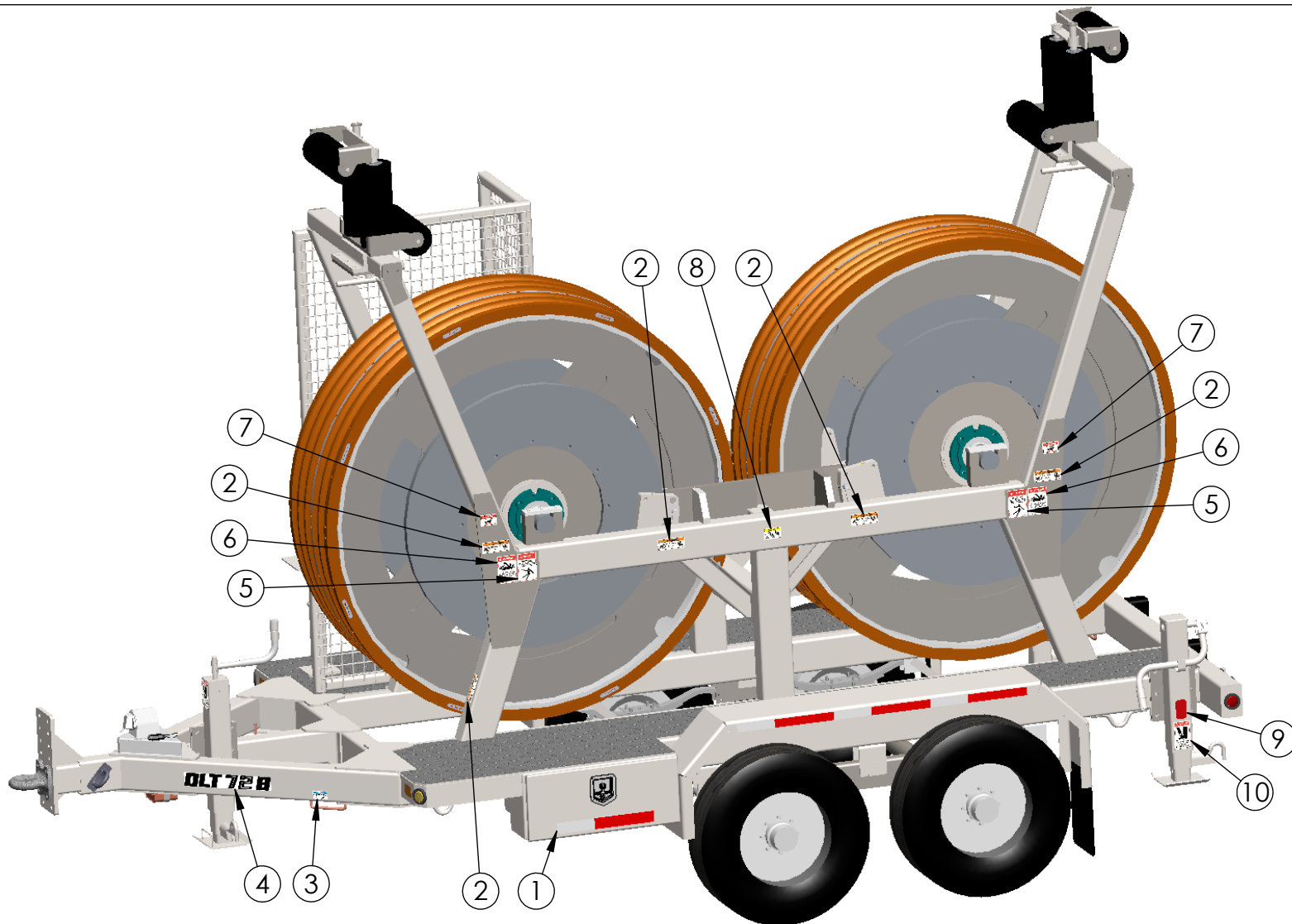
D30096
(1)



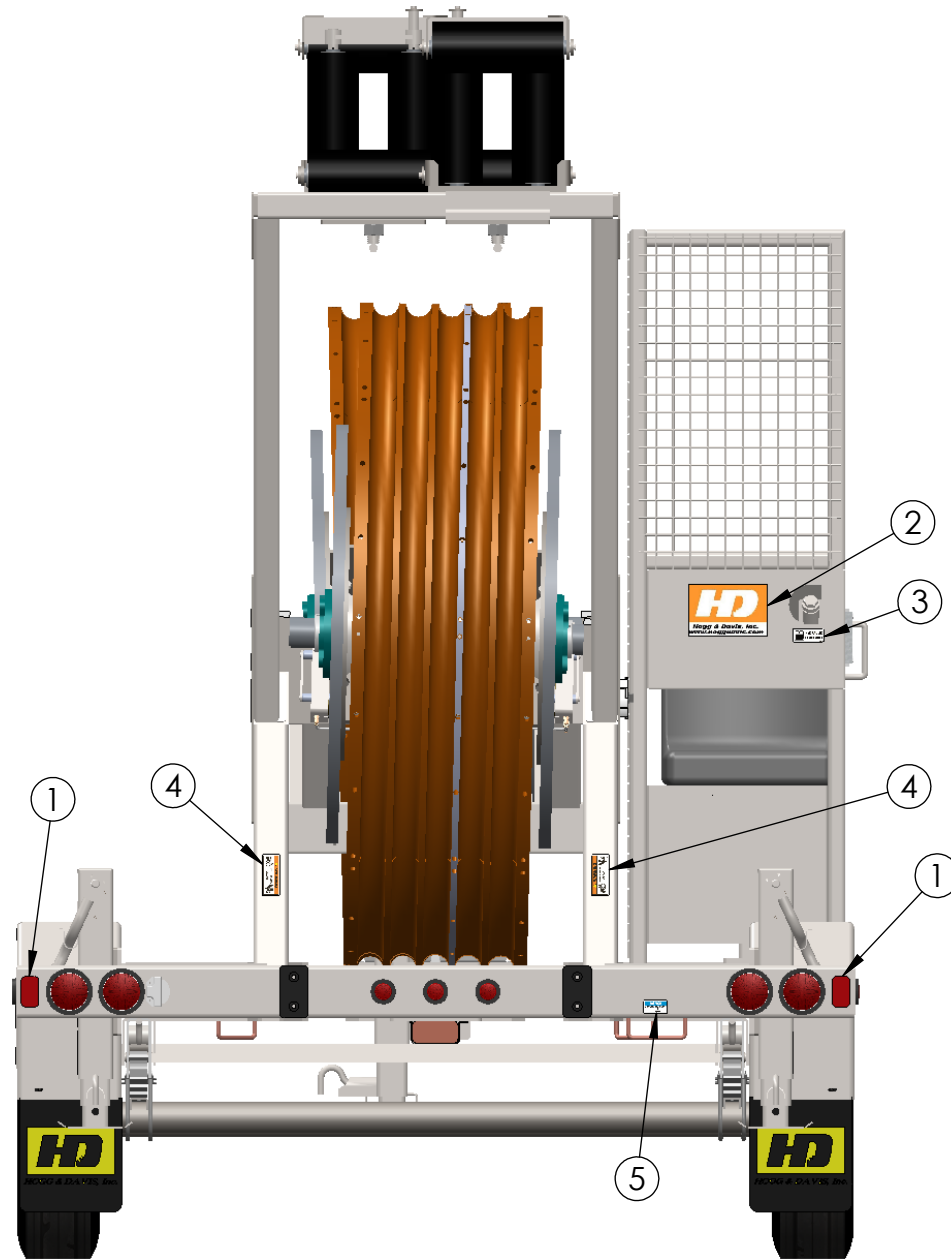
ITEM NO.	PART NUMBER	DESCRIPTION	QTY.
1	D30026	Decal, Danger Stand Clear	3
2	R09043	Reflector, Red 2x3-1/2	4
3	D30036	Decal, Electrocutation Hazard	4
4	D30028	Decal, Danger Twisty Man	4
5	D30042	Decal, Keep Hands Clear	10
6	D30015	Decal, Hot Surface	4
7	D30067	Decal, Release Pressure	3
8	D30010	Decal, Hydraulic Fluid Only	2
9	T19001	Red/White Reflective tape	8
10	R09044	Reflector, Amber 2x3-1/2	2
11	D30034	Decal, Grounding Lug	3
12	D30095	Decal, OLT 72 Tongue	2



ITEM NO.	PART NUMBER	DESCRIPTION	QTY.
1	H10075	Holder, Manual	1
2	D30036	Decal, Electrocution Hazard	4
3	D30017	Decal, Danger Fluid Pressure	1
4	D30028	Decal, Danger Twisty Man	4
5	D30021	Decal, Untrained Operator	1
6	D30127	Decal, Burn Hazard	1
7	D30067	Decal, Release Pressure	3
8	D30096	Decal, Control Panel	1



ITEM NO.	PART NUMBER	DESCRIPTION	QTY.
1	T19001	Red/White Reflective tape	8
2	D30042	Decal, Keep Hands Clear	10
3	D30034	Decal, Grounding Lug	3
4	D30095	Decal, OLT 72 Tongue	2
5	D30036	Decal, Electrocution Hazard	4
6	D30028	Decal, Danger Twisty Man	4
7	D30015	Decal, Hot Surface	4
8	D30067	Decal, Release Pressure	3
9	R09043	Reflector, Red 2x3-1/2	4
10	D30026	Decal, Danger Stand Clear	3



ITEM NO.	PART NUMBER	DESCRIPTION	QTY.
1	R09043	Reflector, Red 2x3-1/2	4
2	D30001	HD Logo 6x9	1
3	D30010	Decal, Hydraulic Fluid Only	2
4	D30042	Decal, Keep Hands Clear	10
5	D30034	Decal, Grounding Lug	3